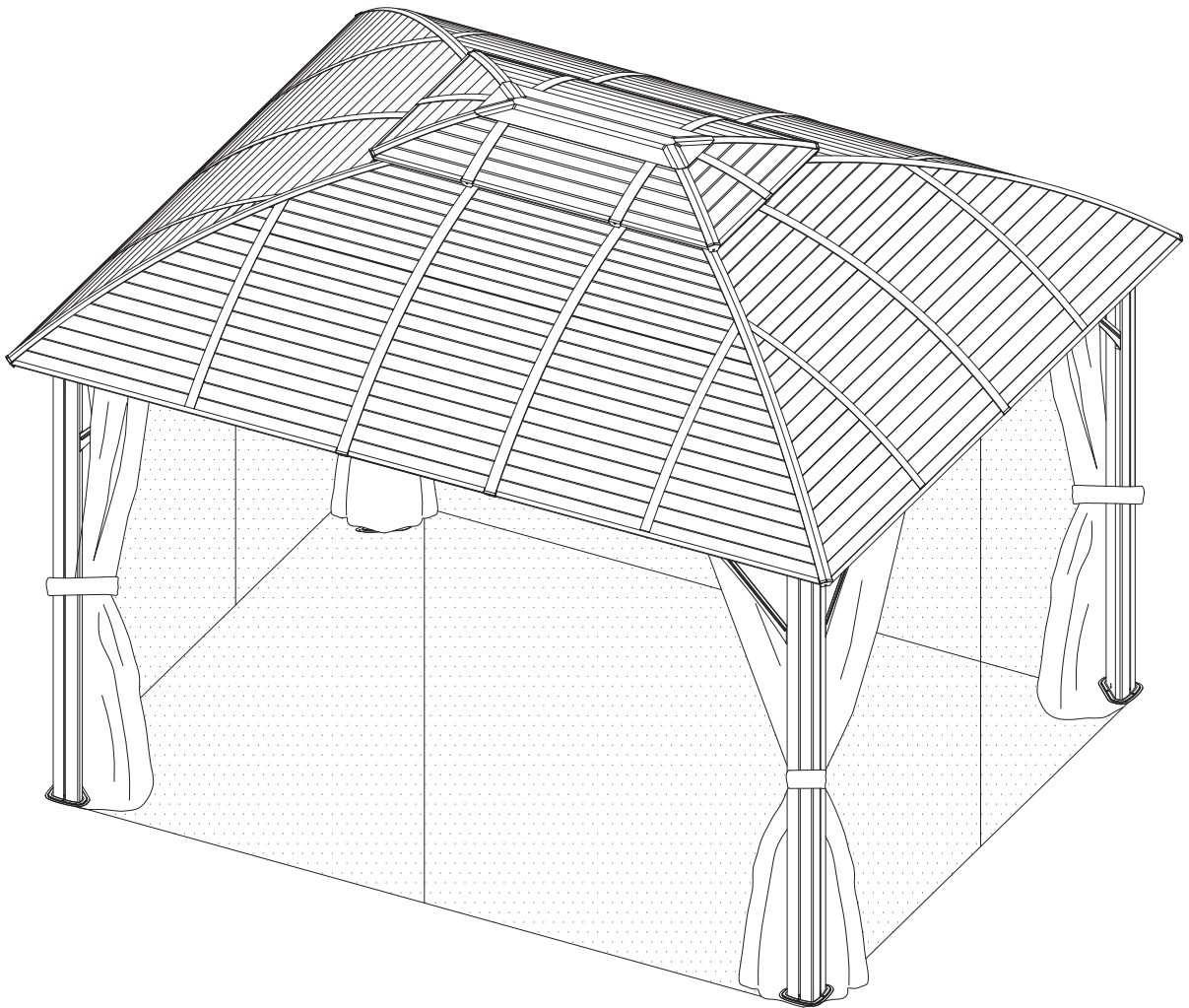


20388





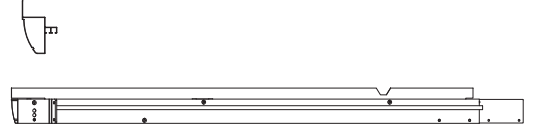
A 4x



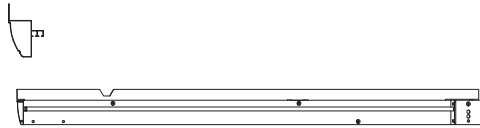
C 2x



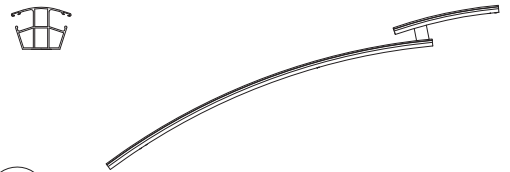
C1 2x



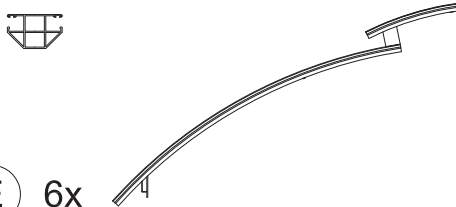
C2 2x



C3 2x



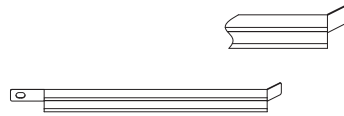
D 4x



E 6x



F 4x



F1 4x



F2 2x



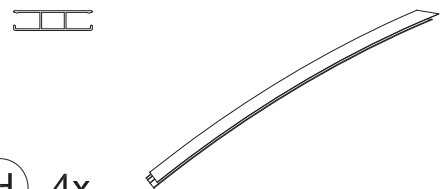
G 4x



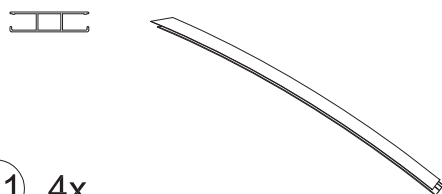
G1 4x



G2 2x



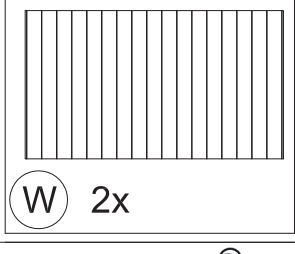
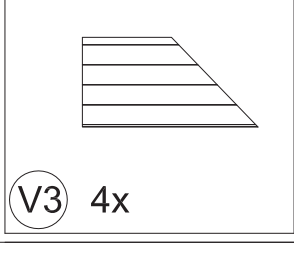
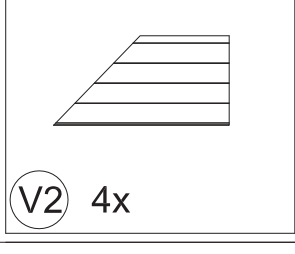
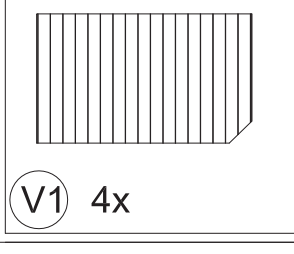
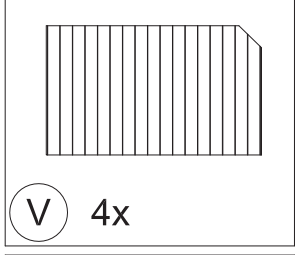
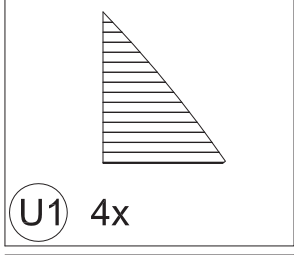
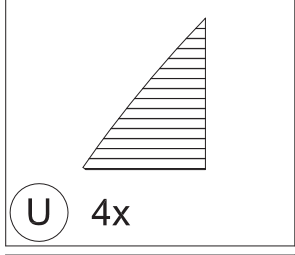
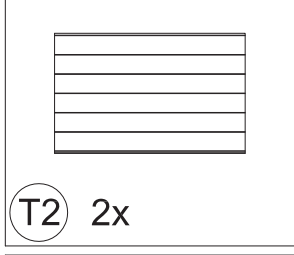
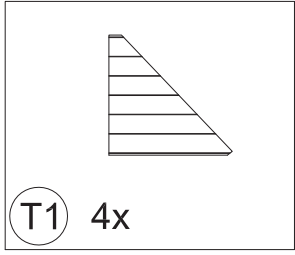
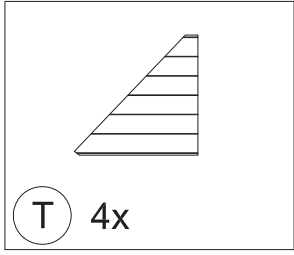
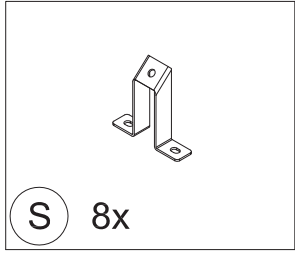
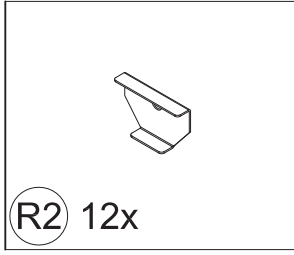
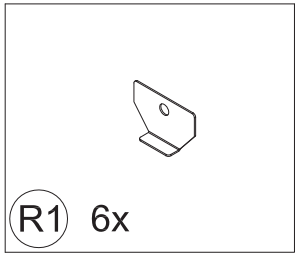
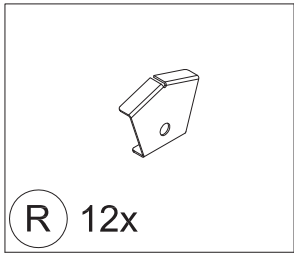
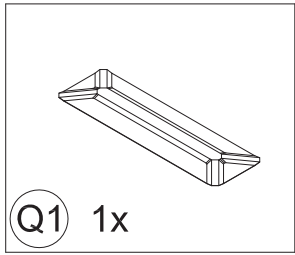
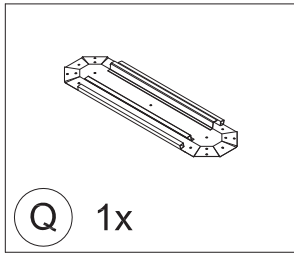
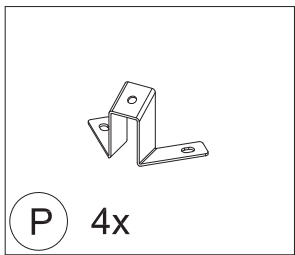
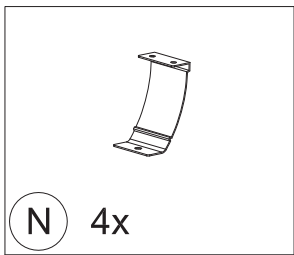
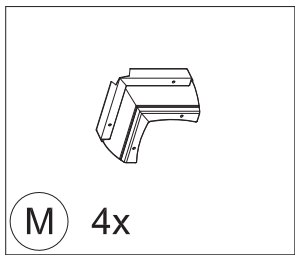
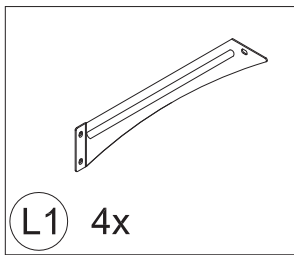
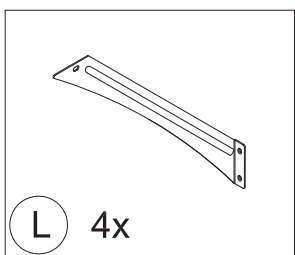
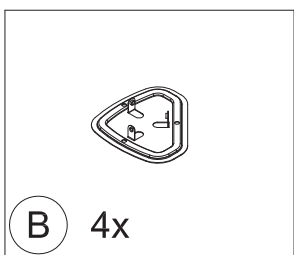
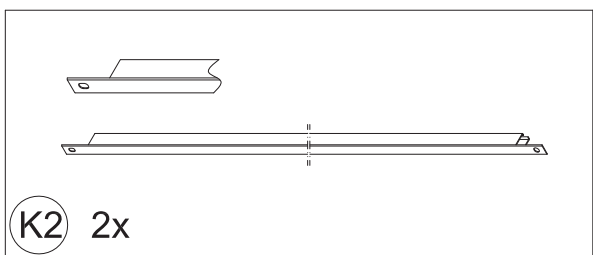
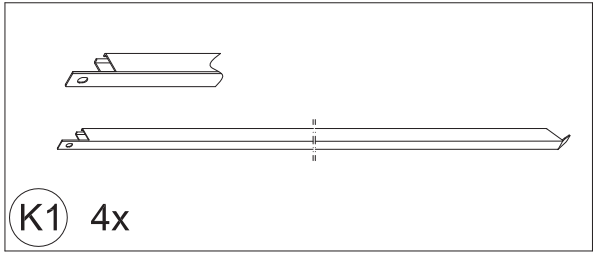
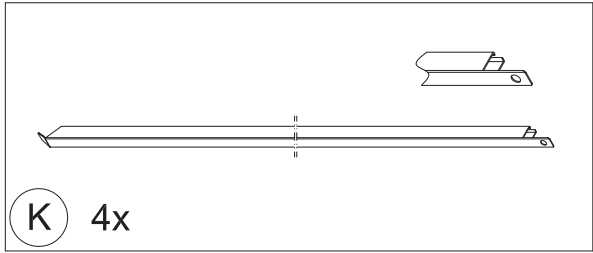
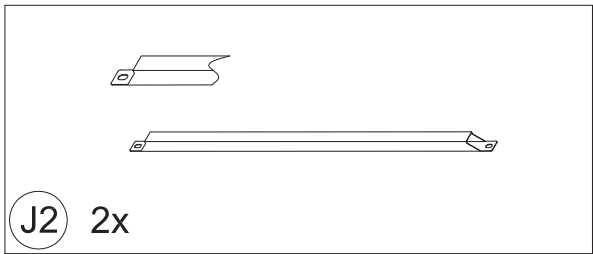
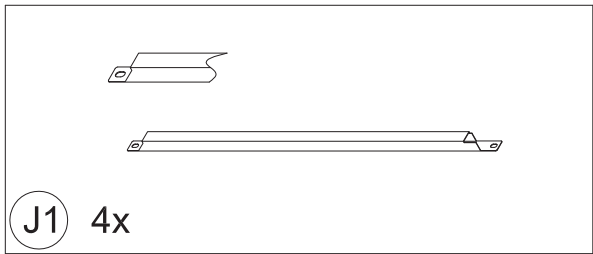
H 4x

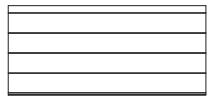


H1 4x



J 4x





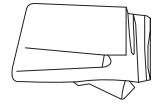
W1 2x



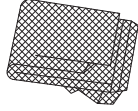
X 104x



Y 20x



Z 4x



Z1 4x



AA 4x



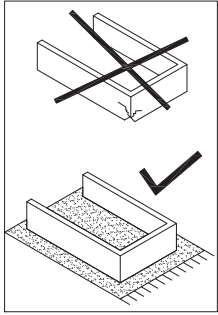
1 150x

M6x12



2 25x

M6x16



3 8x

M6x15



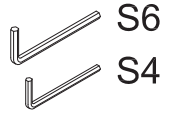
4 32x

ST4.8x10



5 4x

M5x10



6 1x

S6

S4

<1>



A 4x



B 4x



1 12x

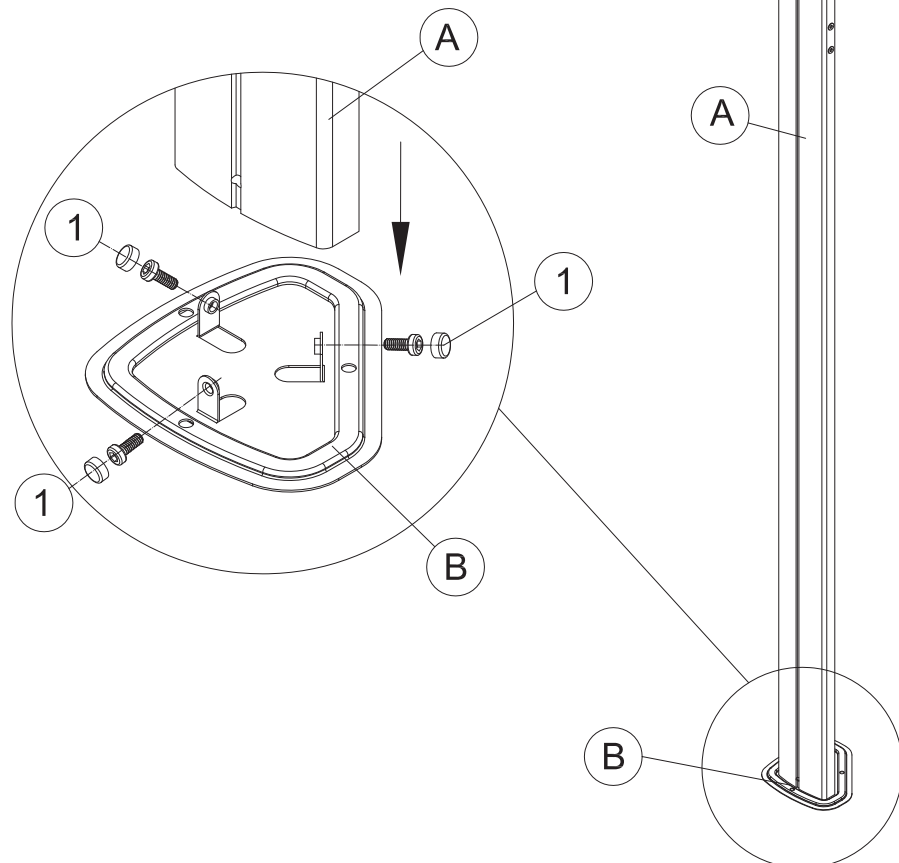
M6x12

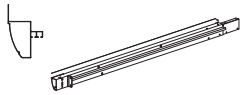


6 1x

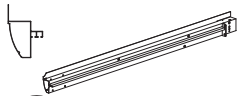
S4

4

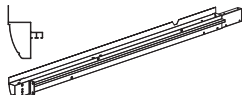




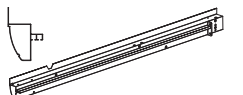
C 2x



C1 2x



C2 2x



C3 2x



X 104x



M6x12

1 16x

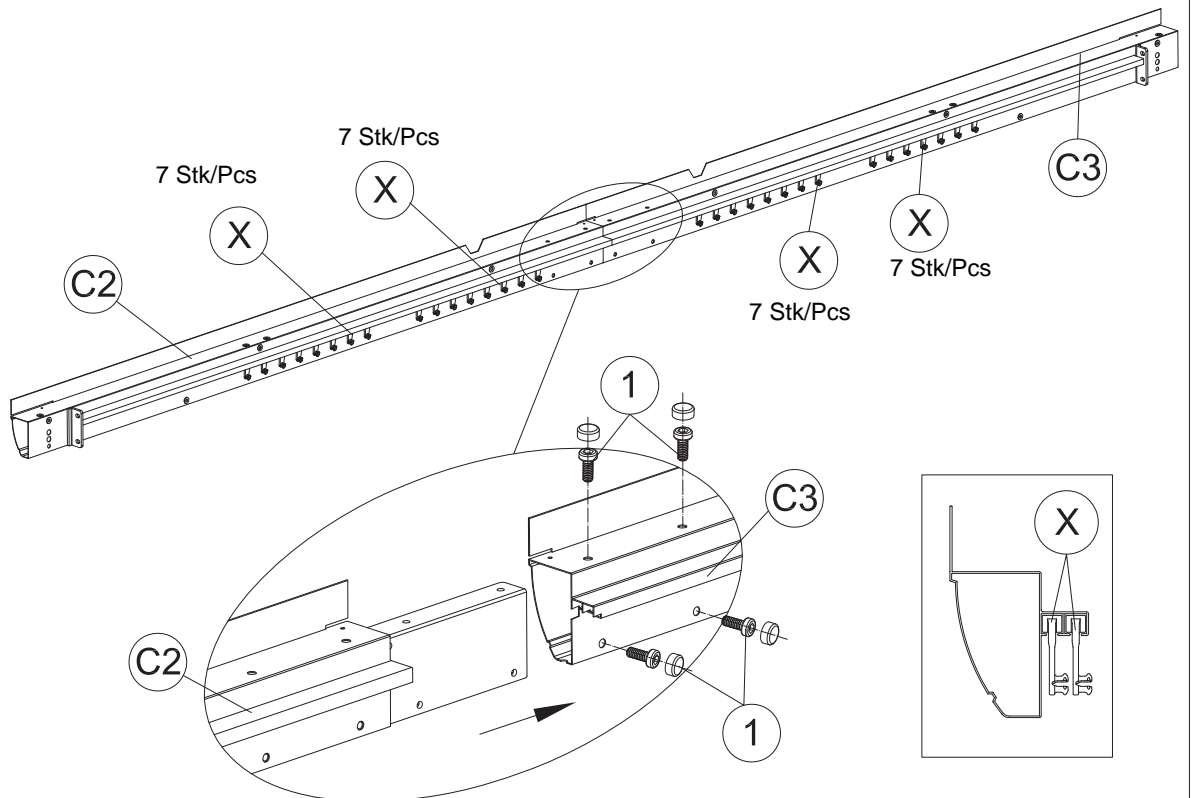
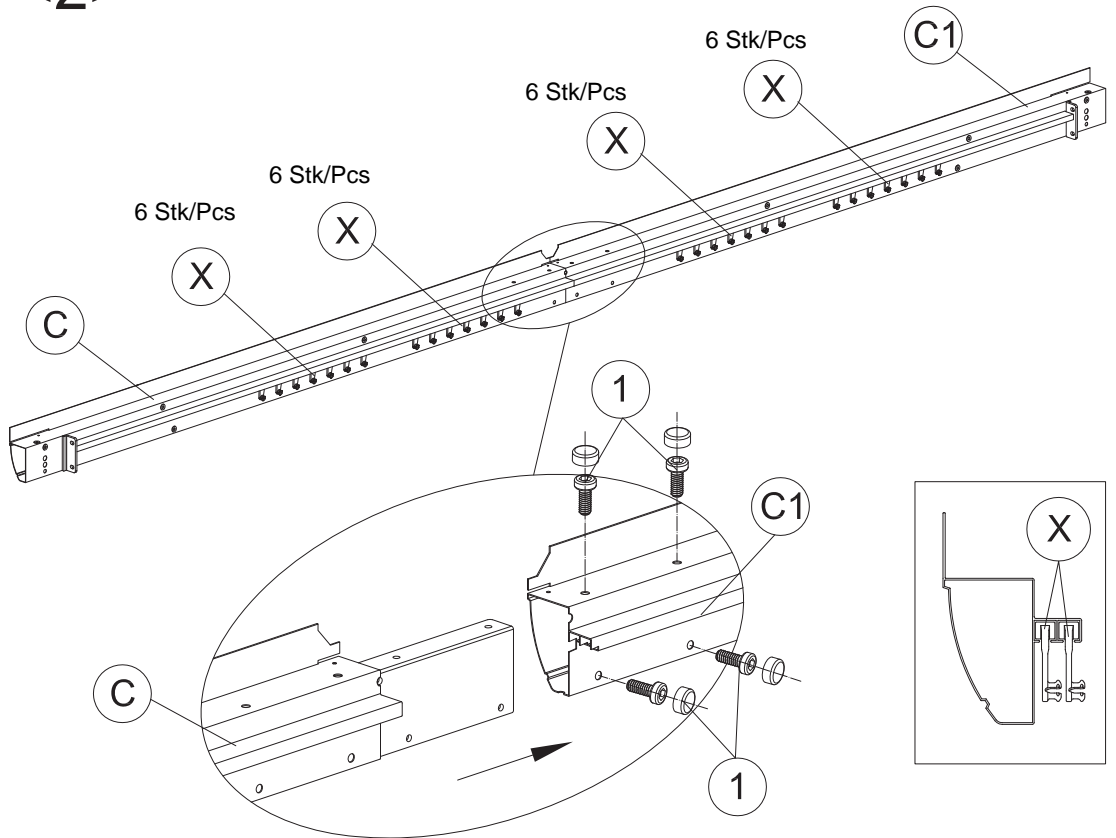


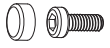
S4

6 1x

5

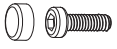
<2>





M6x12

1 8x



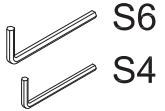
M6x16

2 16x



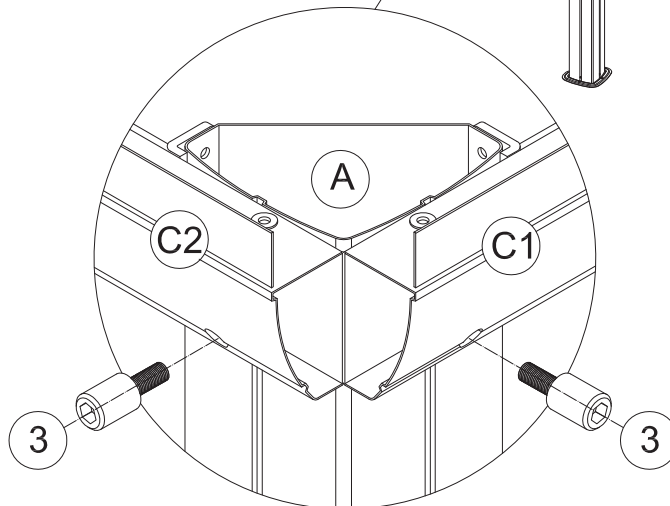
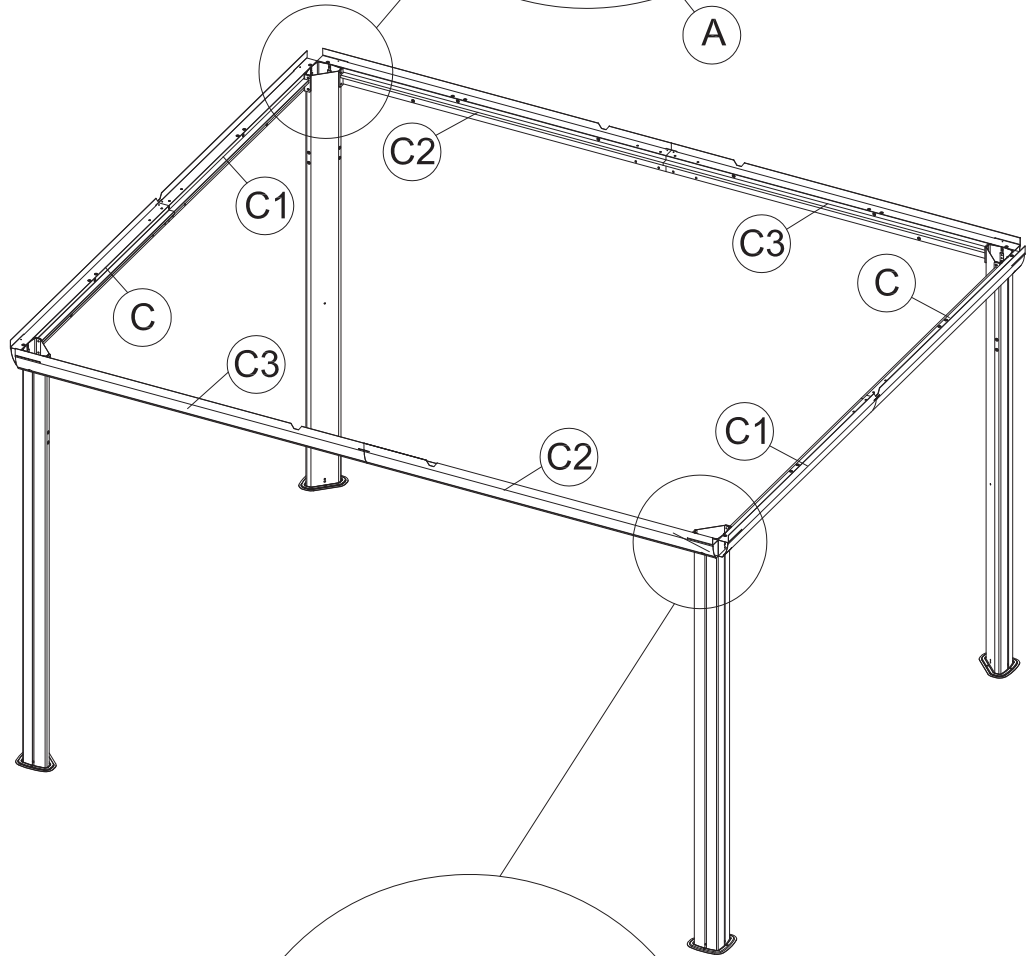
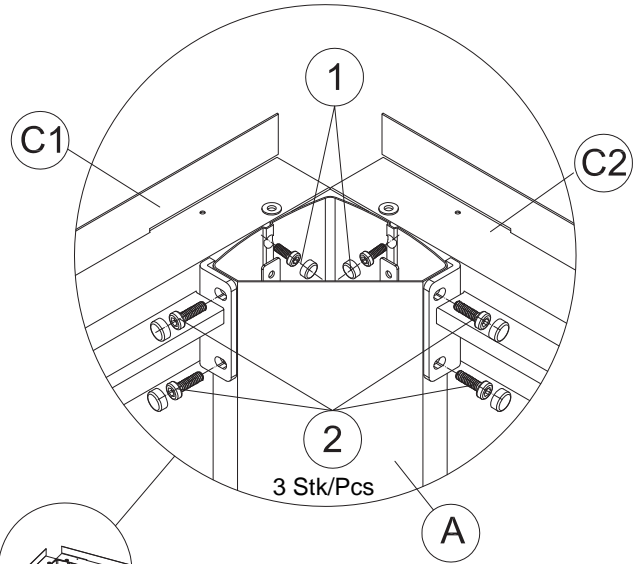
M6x15

3 8x

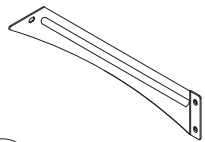


6 1x

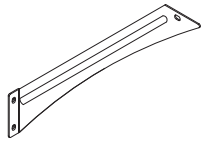
<3>



6



L 4x



L1 4x



M6x12

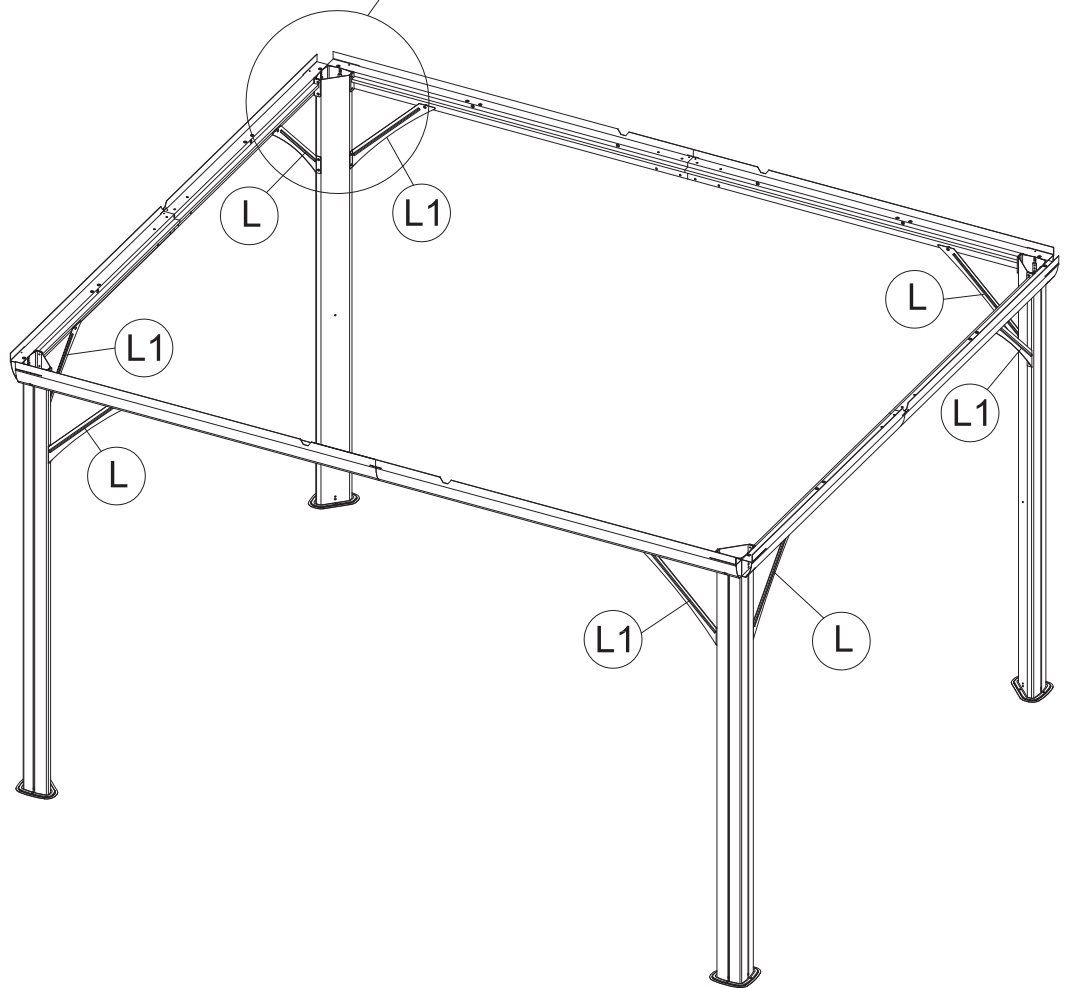
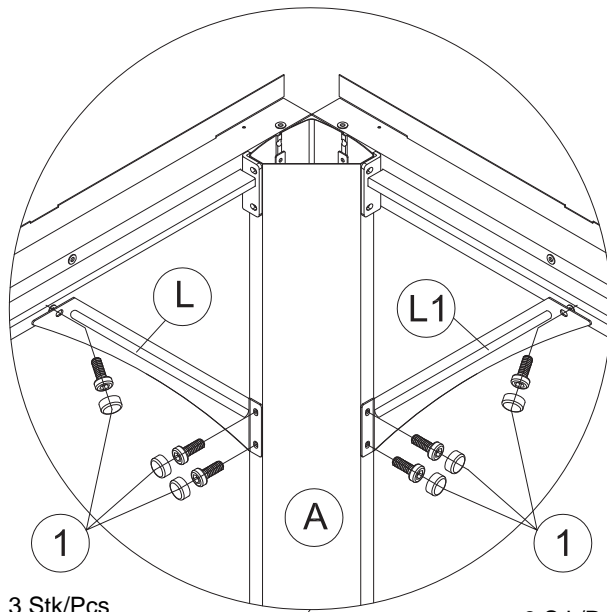
1 24x



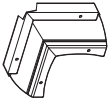
S4

6 1x

<4>



7



M 4x



N 4x



AA 4x



ST4.8x10

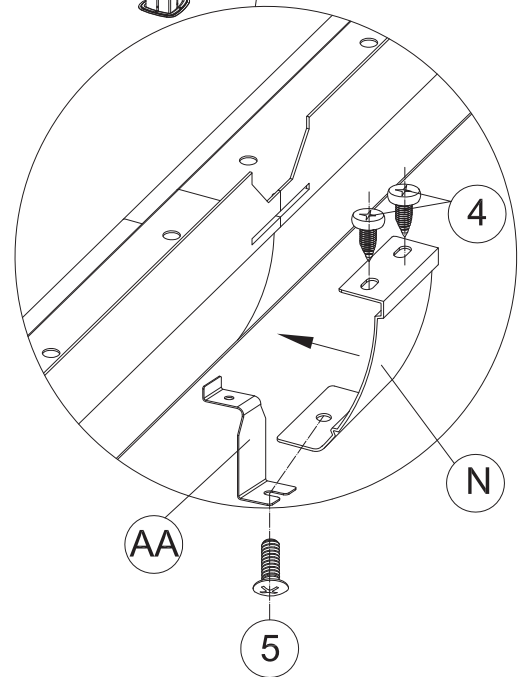
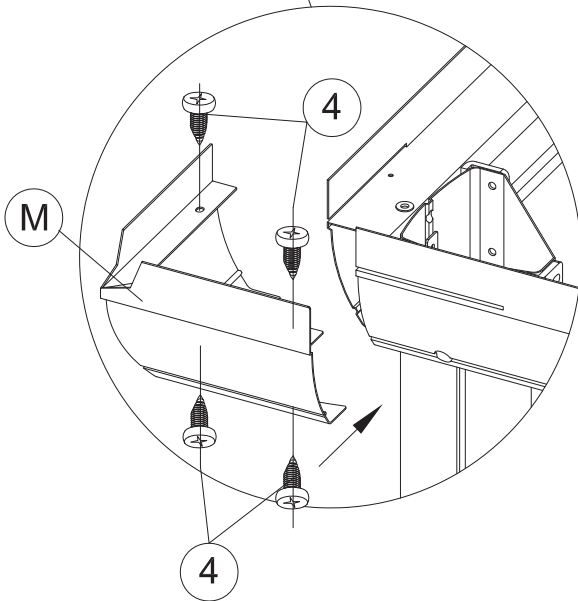
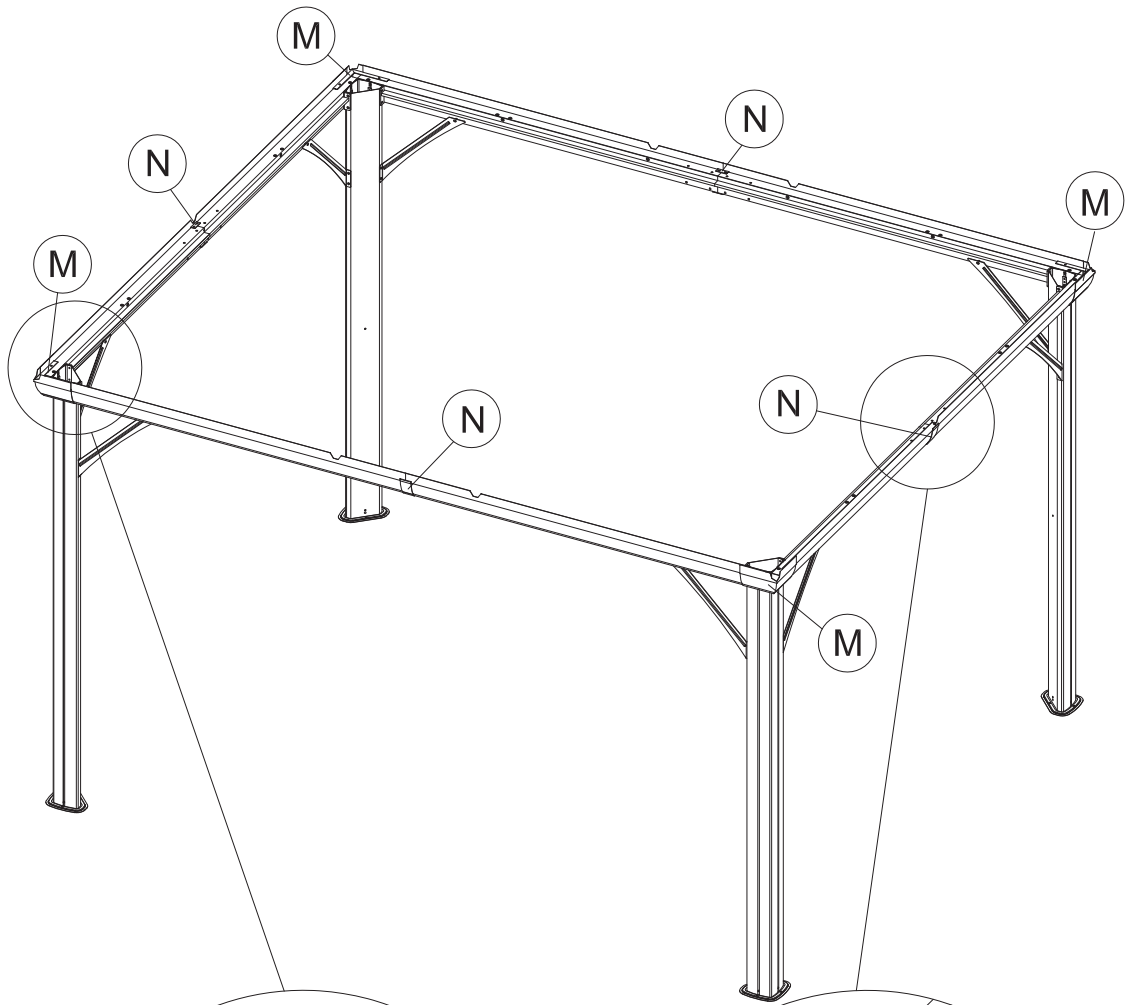
4 24x



M5x10

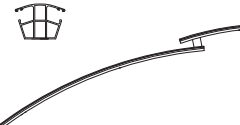
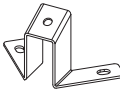
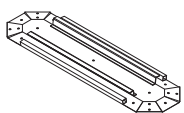


5 4x

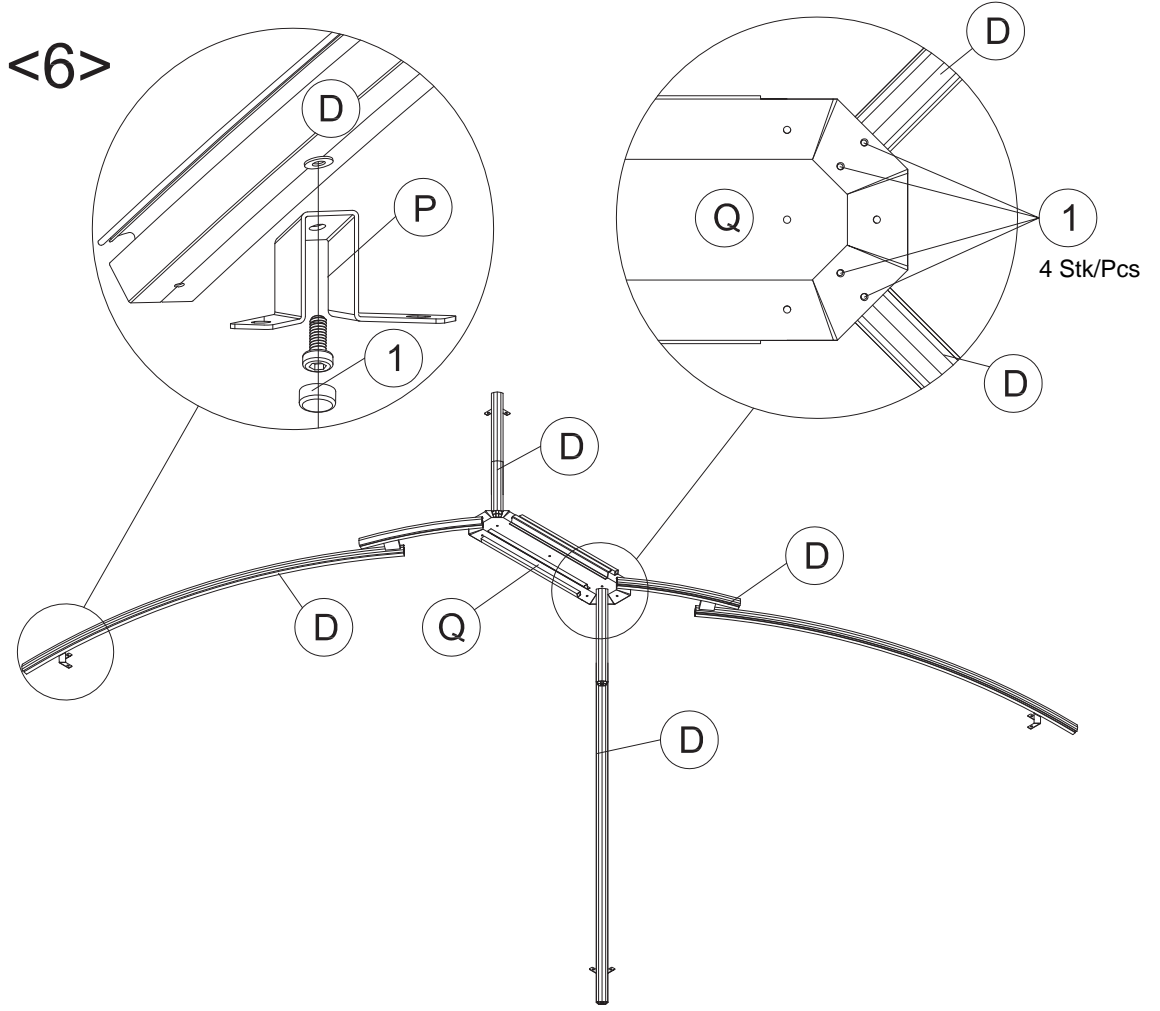
<5>





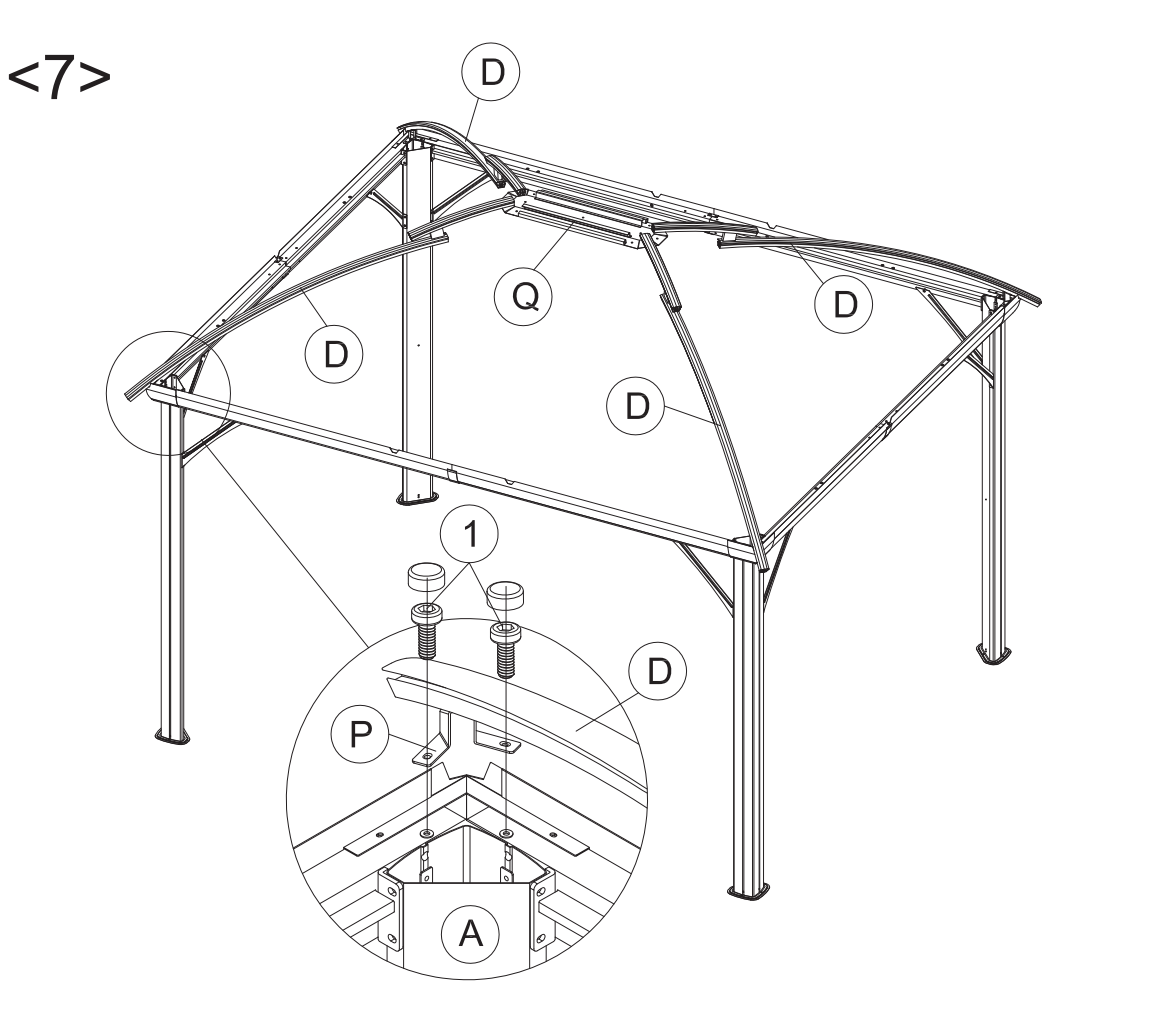
8



-  **D** 4x
-  **P** 4x
-  **Q** 1x
-  **M6x12**  
**1** 12x
-  **S4**  
**6** 1x



-  **M6x12**  
**1** 8x
-  **S4**  
**6** 1x



**9**



E 6x



M6x12

1 6x



M6x16

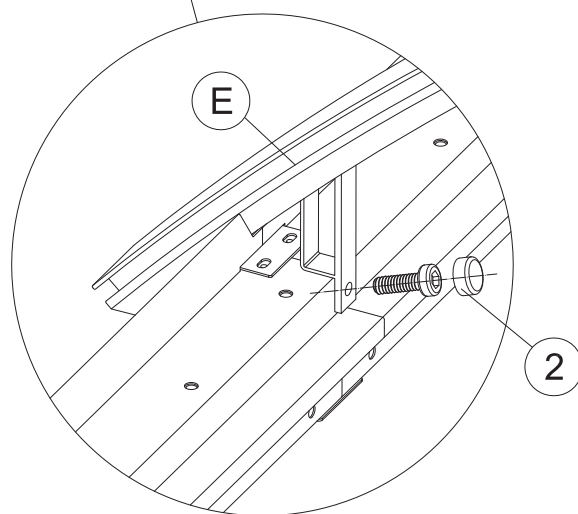
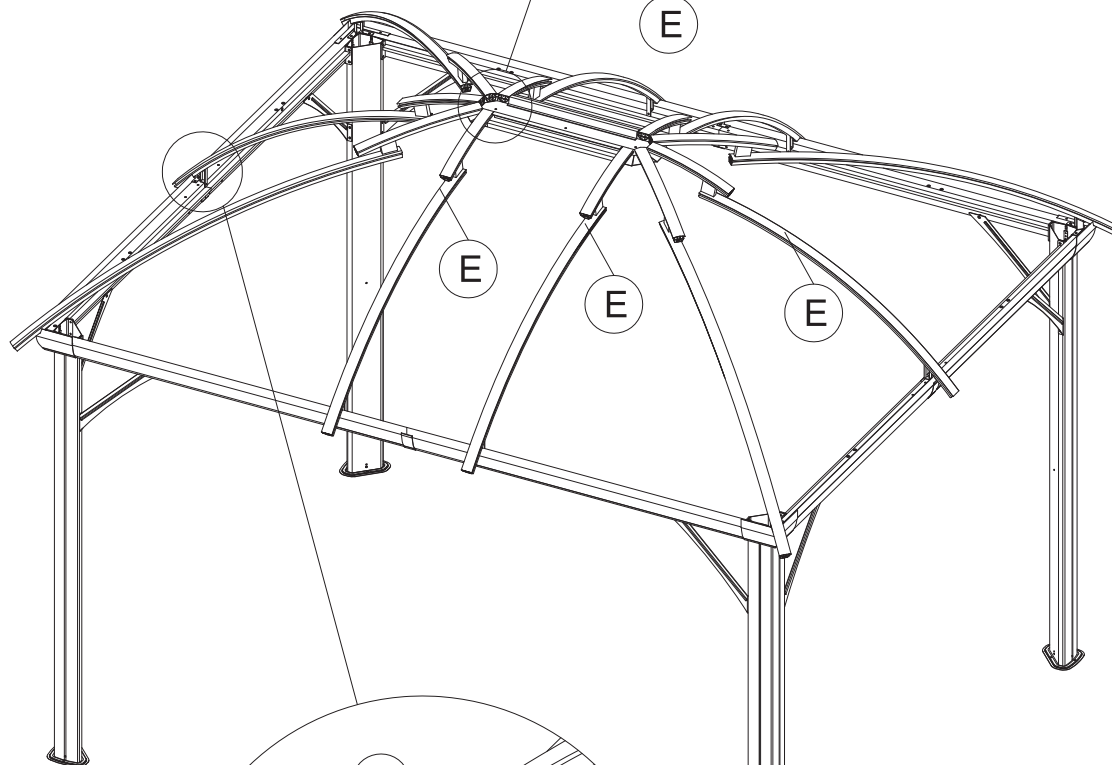
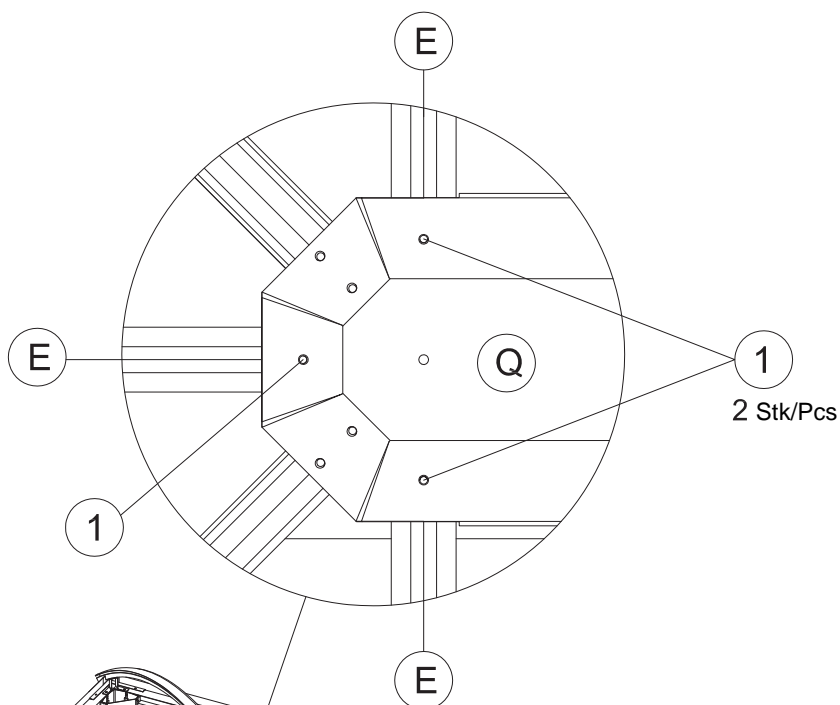
2 6x



S4

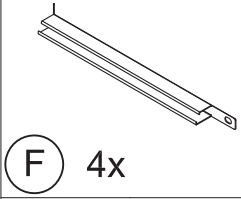
6 1x

<8>

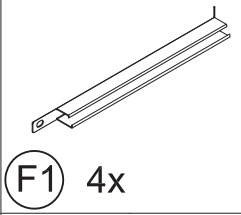


10

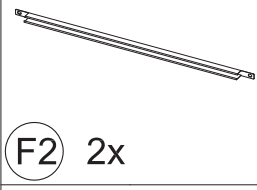
<9>



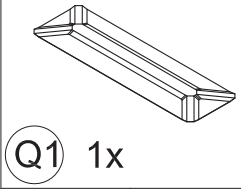
F 4x



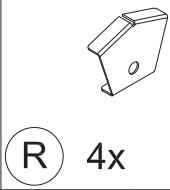
F1 4x



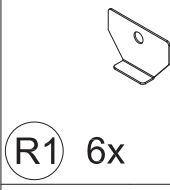
F2 2x



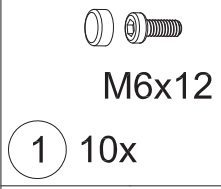
Q1 1x



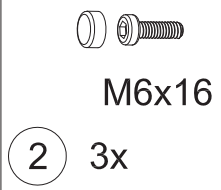
R 4x



R1 6x

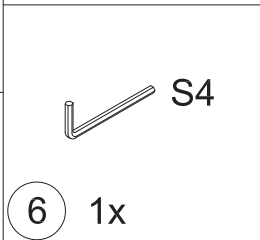


1 10x

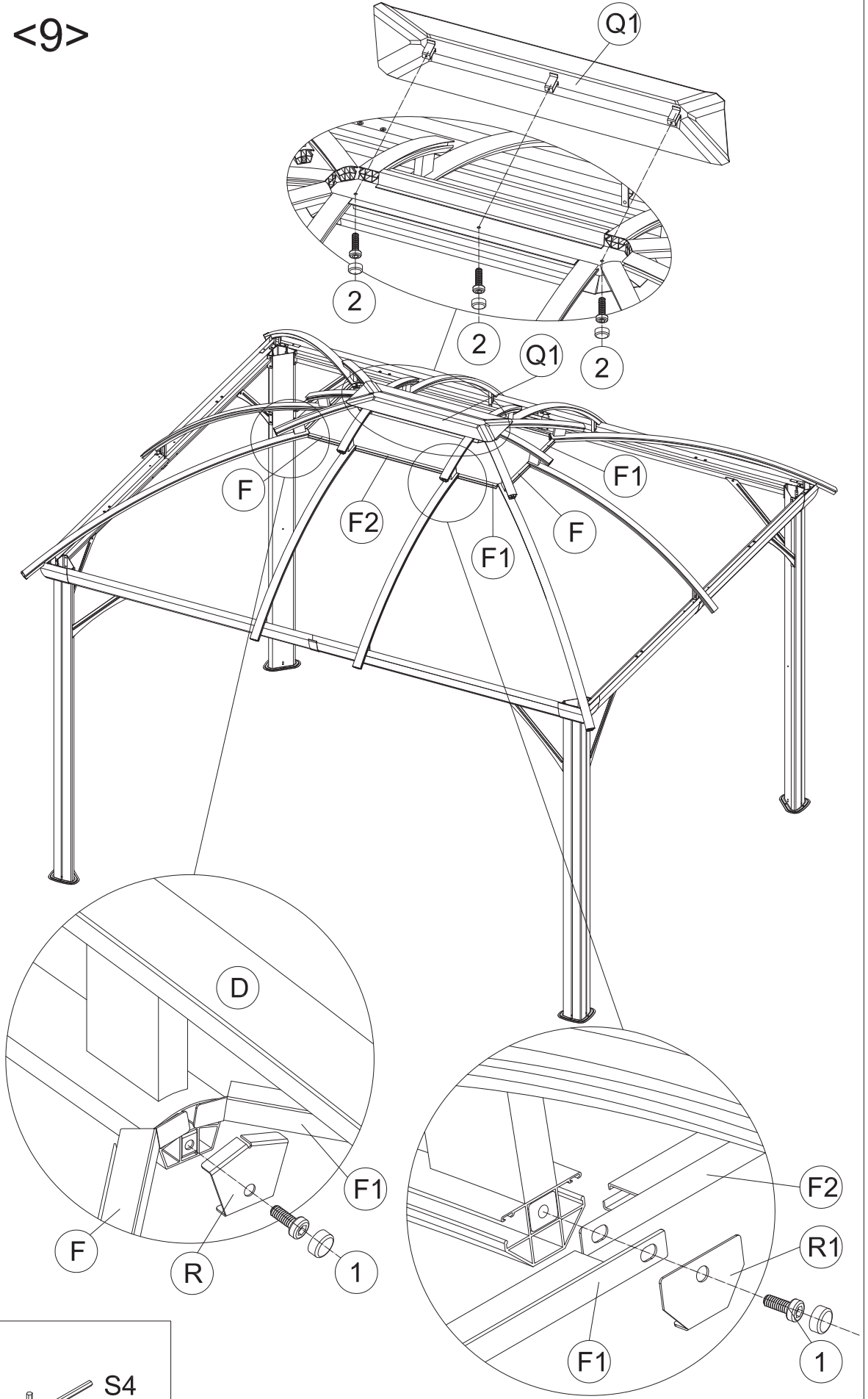


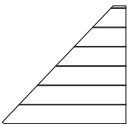
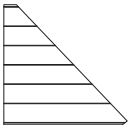
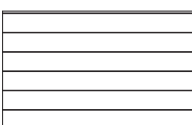
2 3x

11

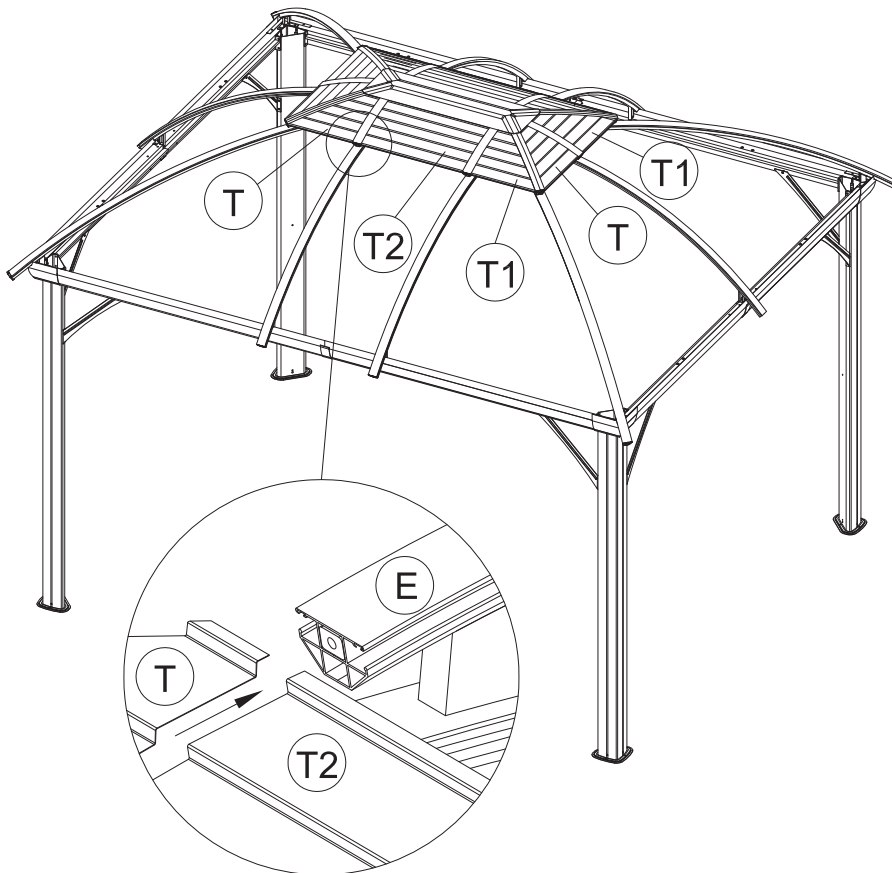



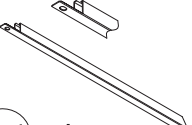
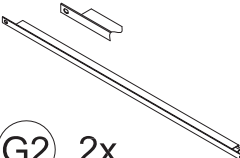

6 1x



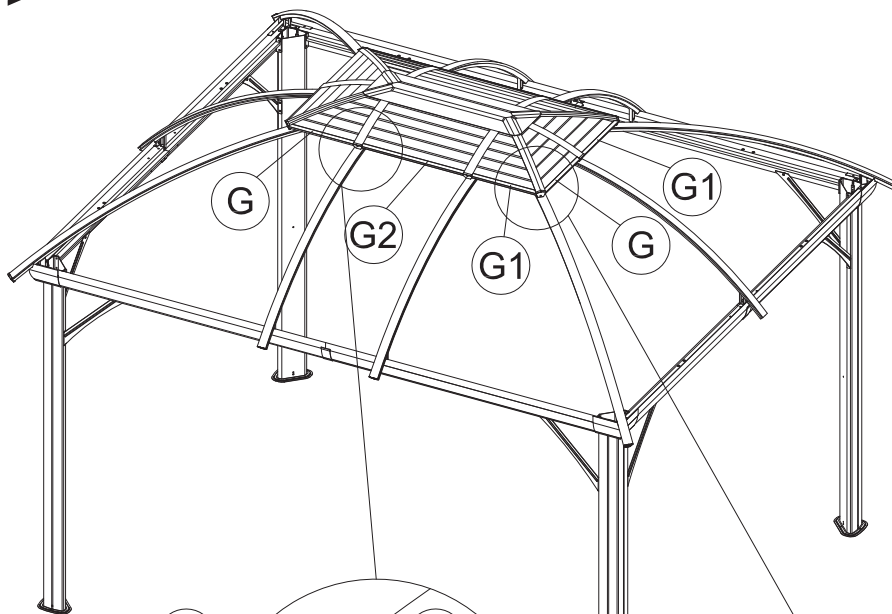
-  T 4x
-  T1 4x
-  T2 2x




<10>





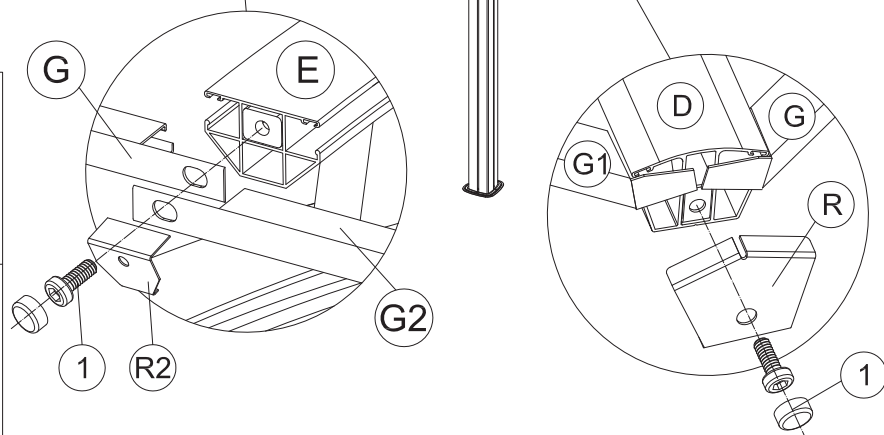
-  G 4x
-  G1 4x
-  G2 2x
-  R 4x


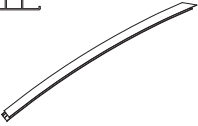

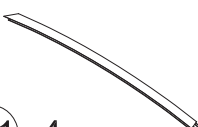
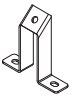


<11>



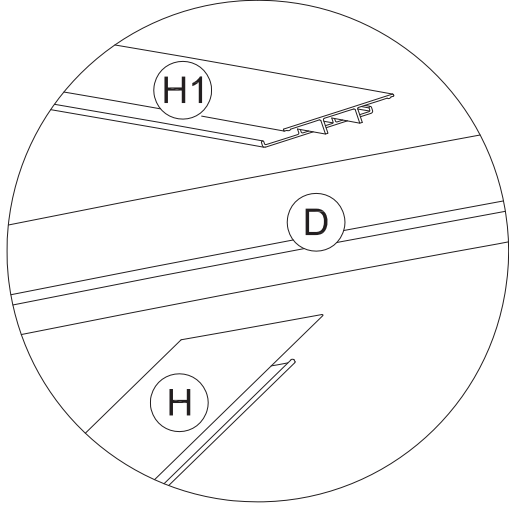
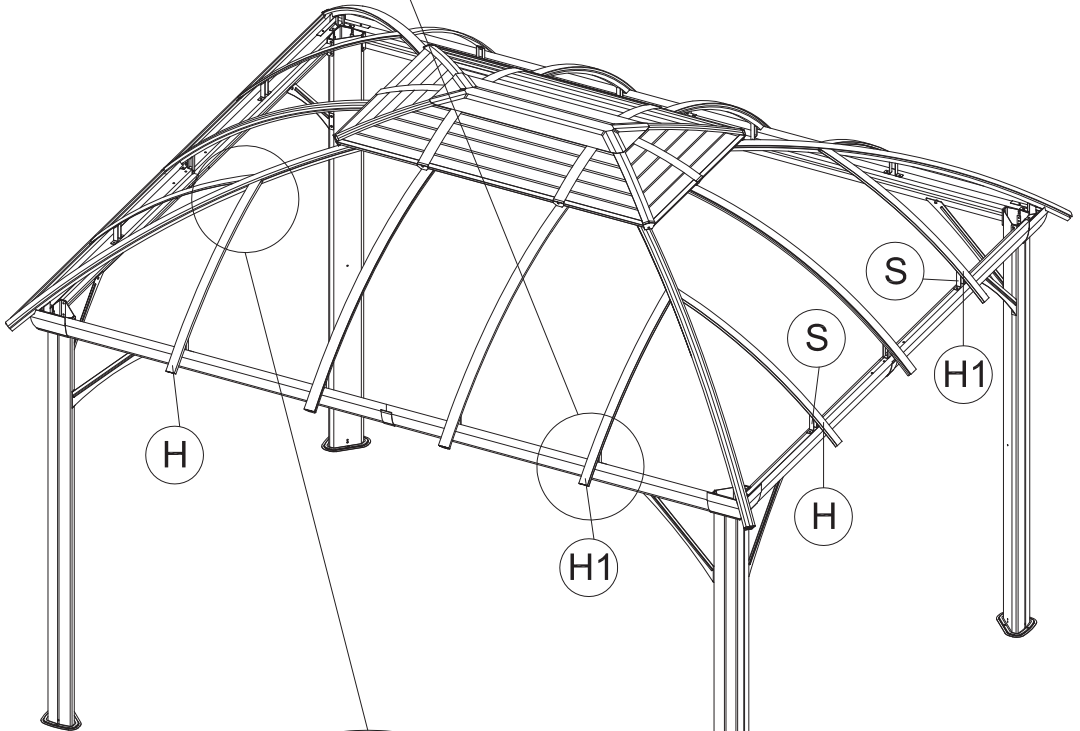
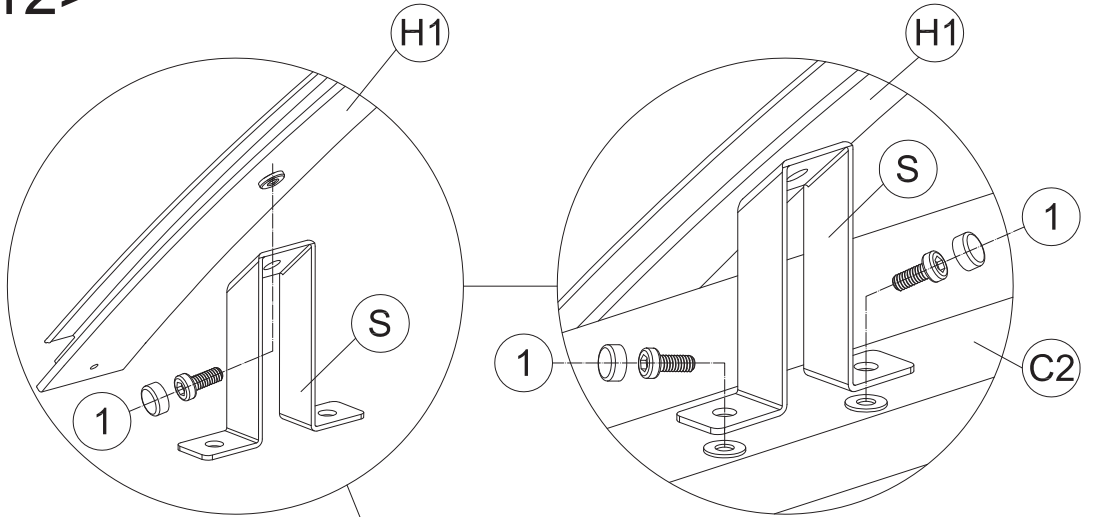
-  1 10x
-  R2 6x
-  6 1x

-  M6x12
-  S4



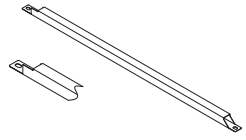
-   **H** 4x
-   **H1** 4x
-  **S** 8x
-  **1** 24x  
M6x12
-  **6** 1x  
S4

<12>

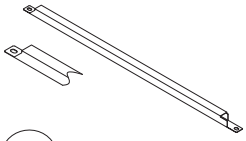


13

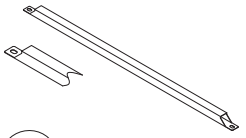
<13>



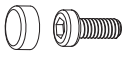
J 4x



J1 4x



J2 2x



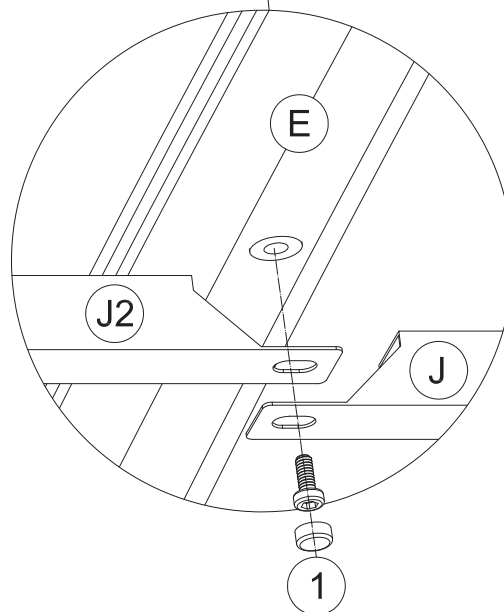
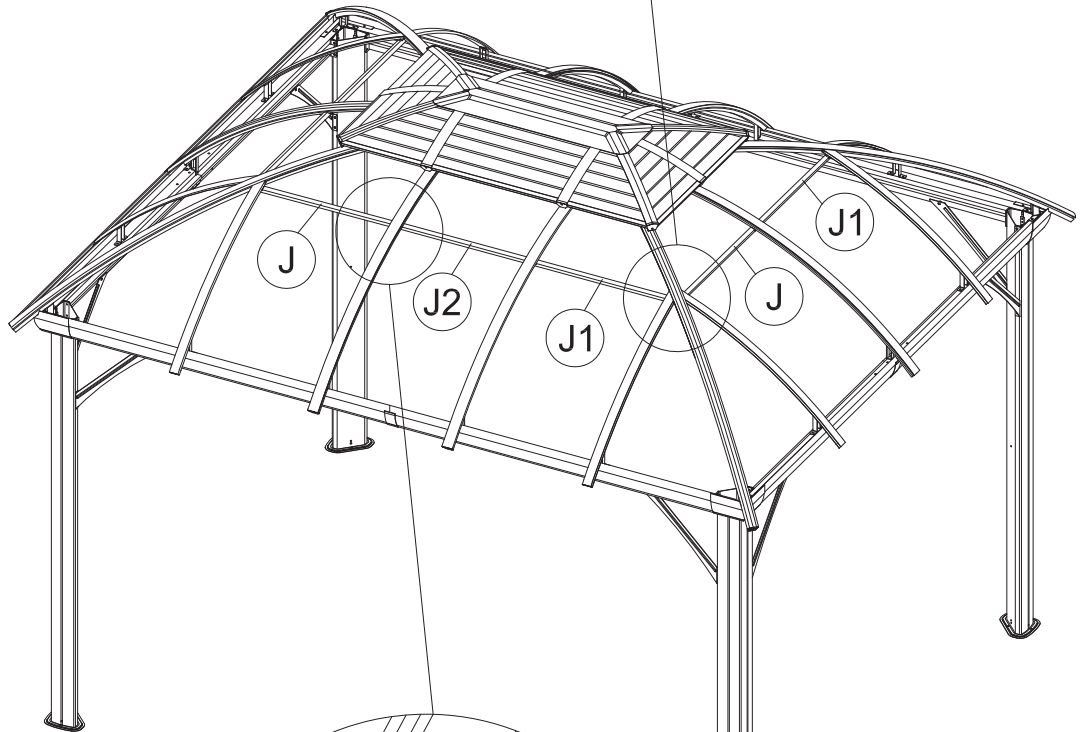
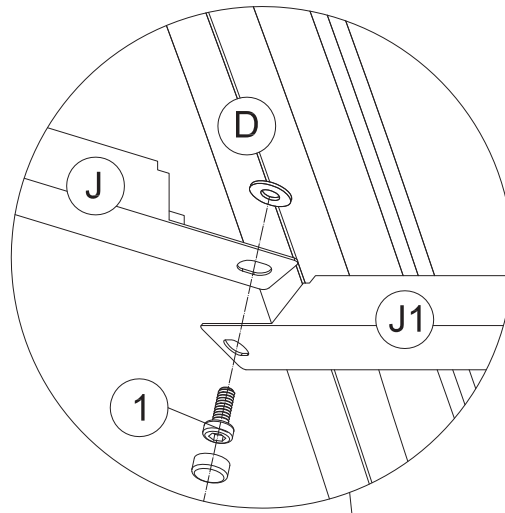
M6x12

1 10x

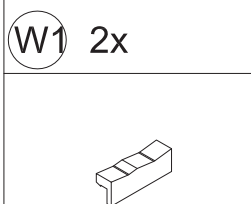
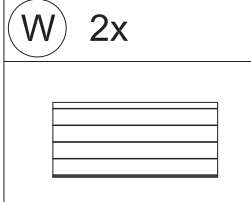
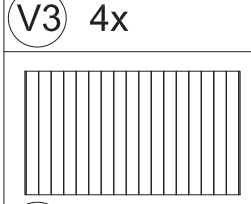
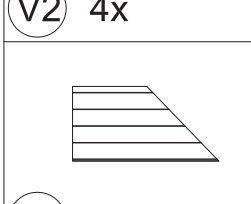
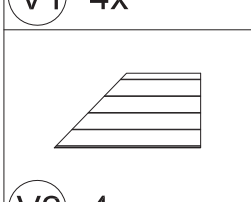
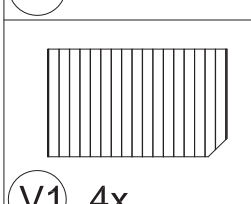
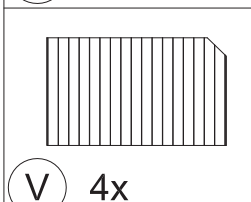
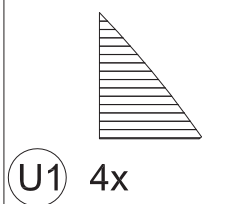
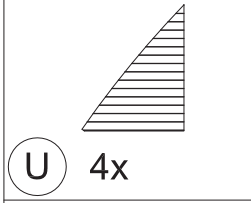


S4

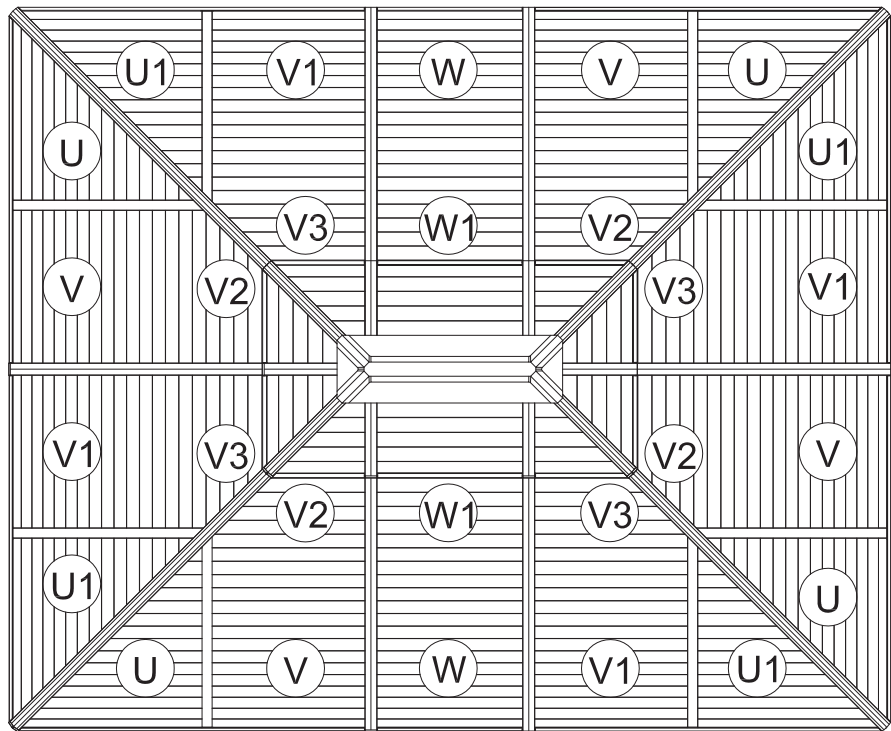
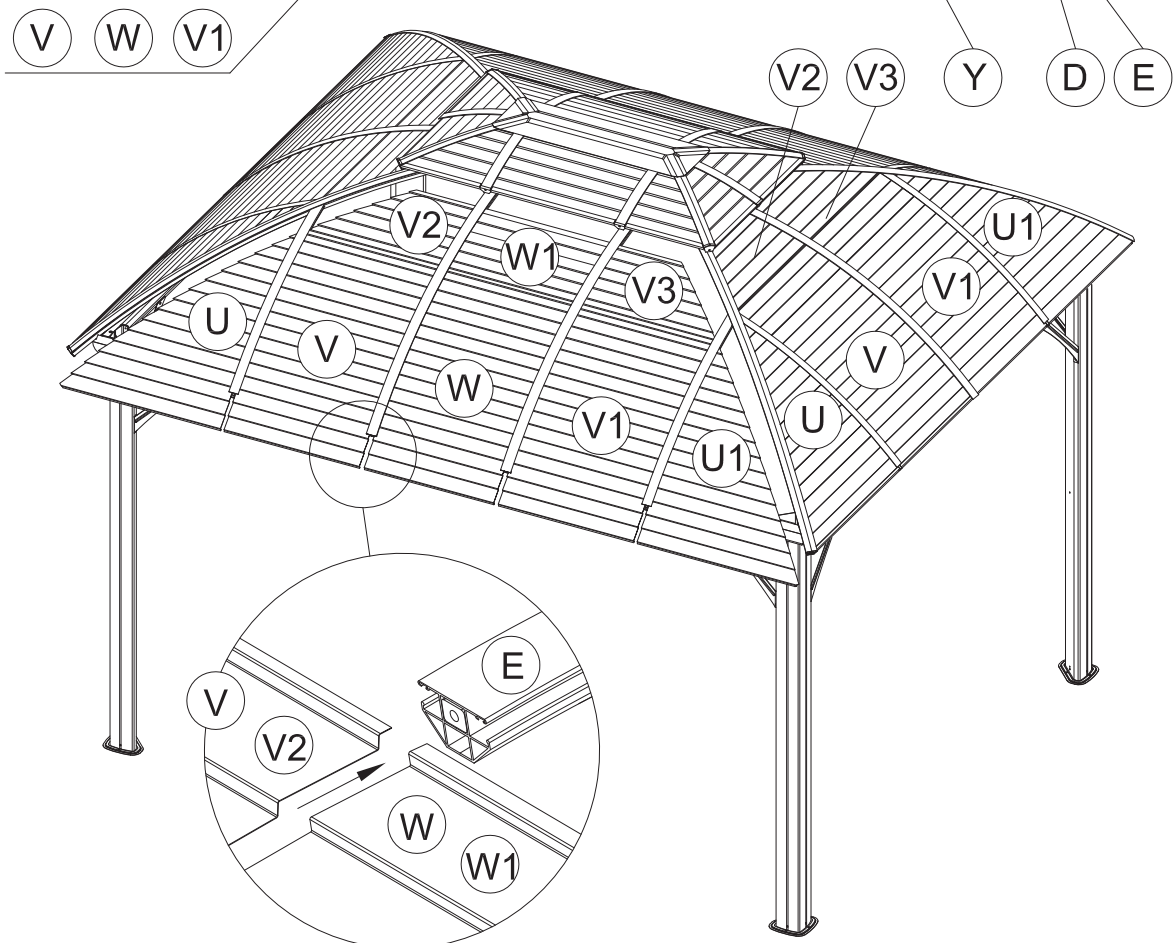
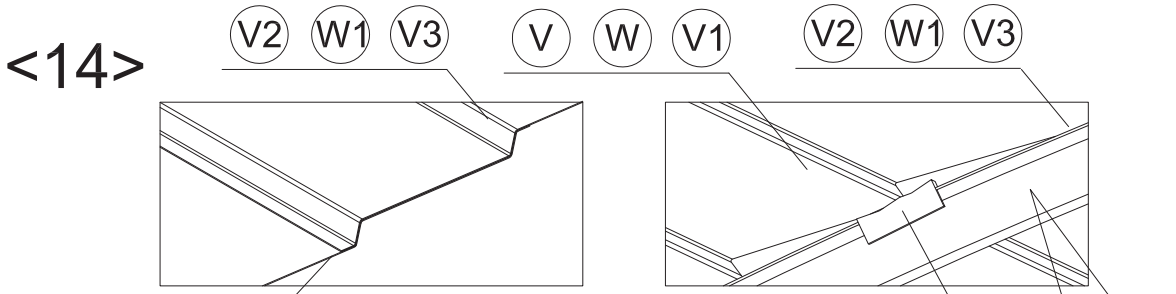
6 1x



14



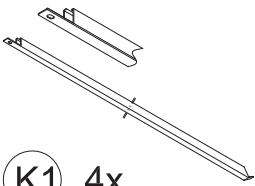
15



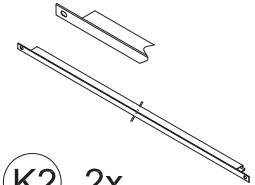
<15>



(K) 4x



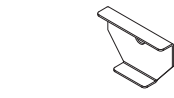
(K1) 4x



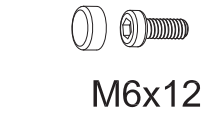
(K2) 2x



(R) 4x



(R2) 6x



(1) 10x

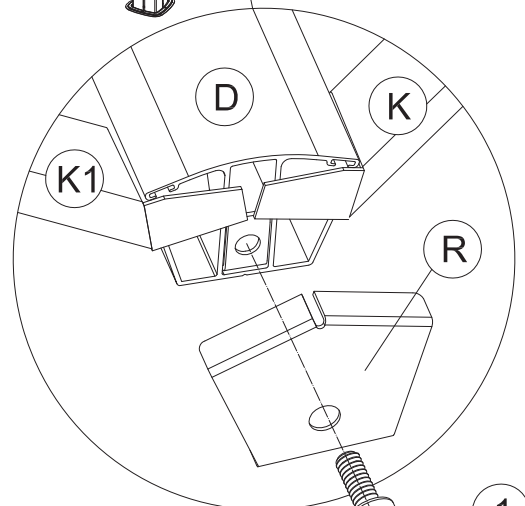
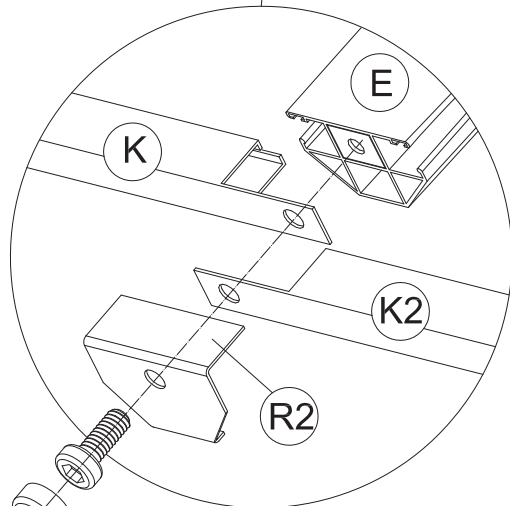
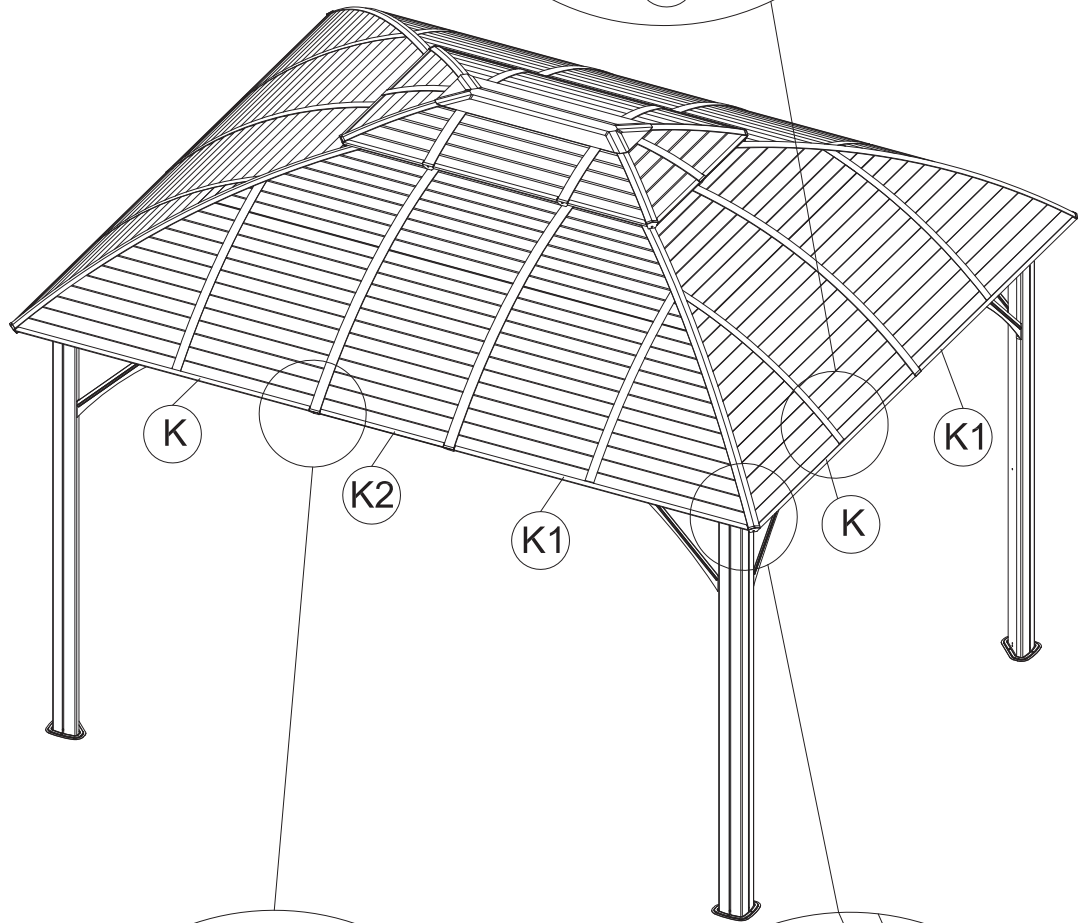
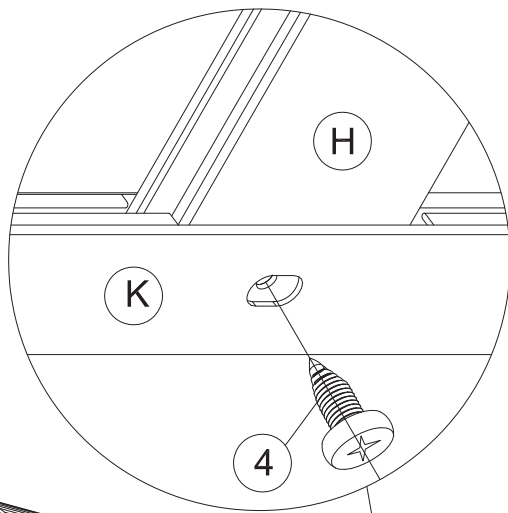


(4) 8x

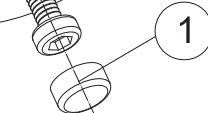


(6) 1x

16

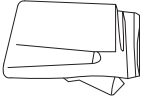


(1)



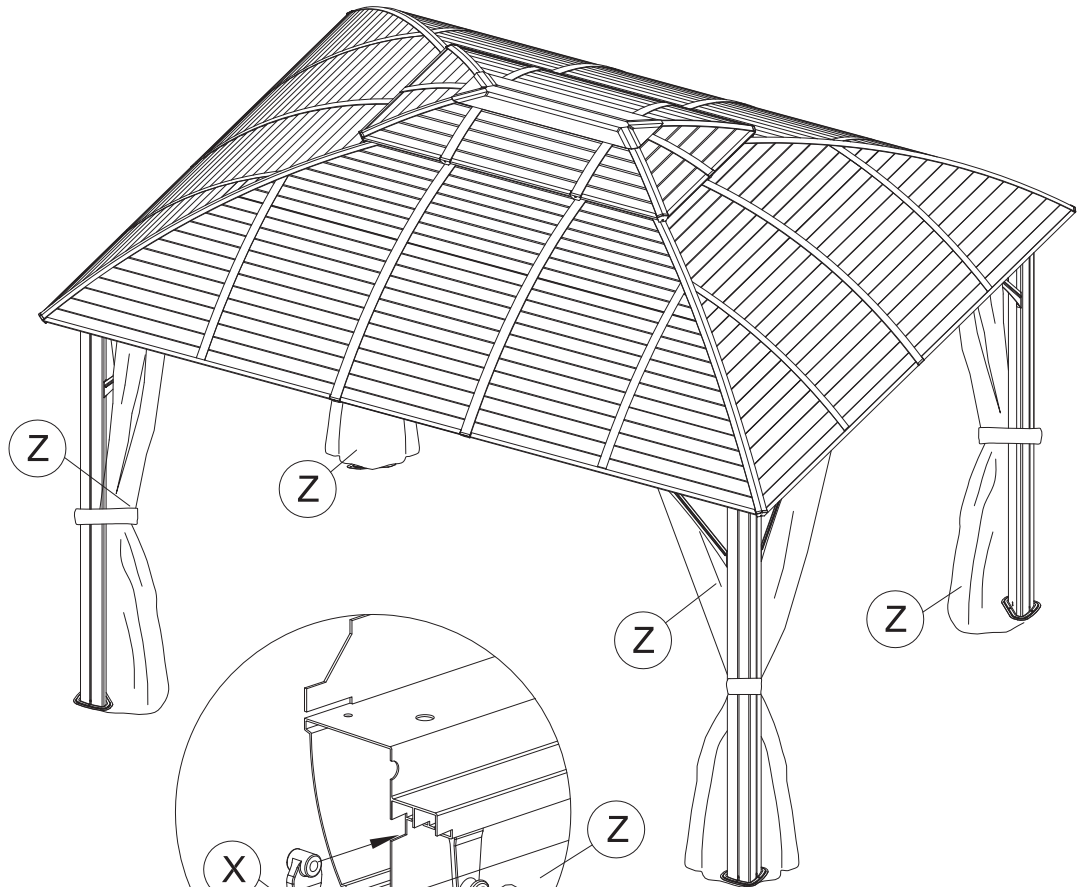
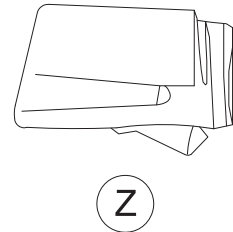
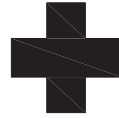
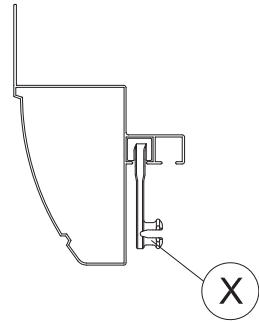
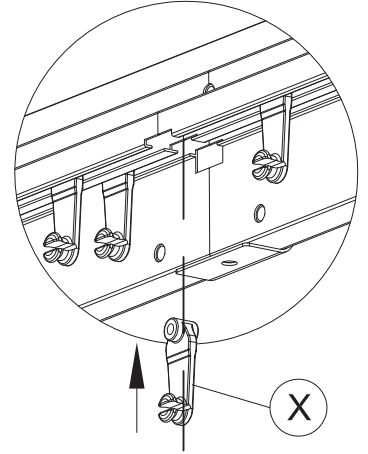
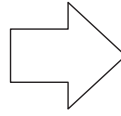
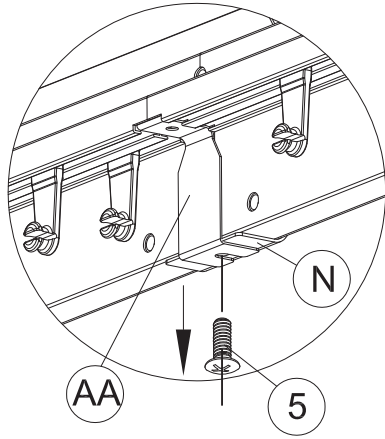
(1)



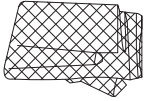


<16>

Z 4x

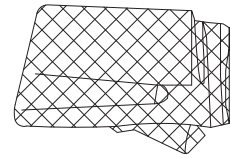
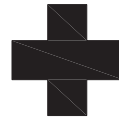
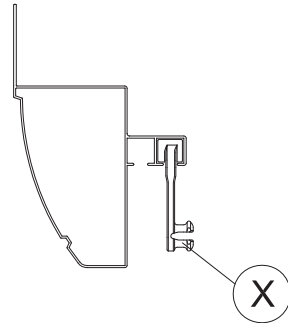
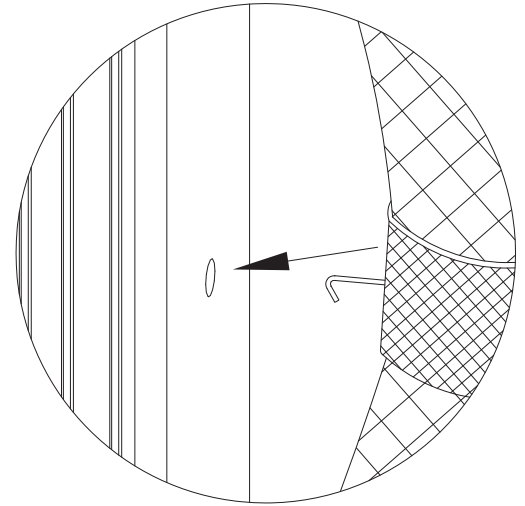
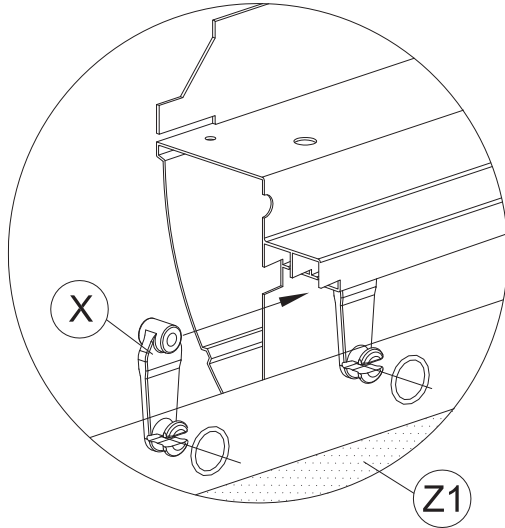


17

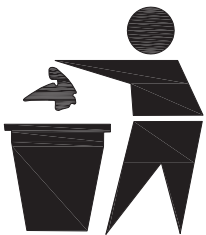
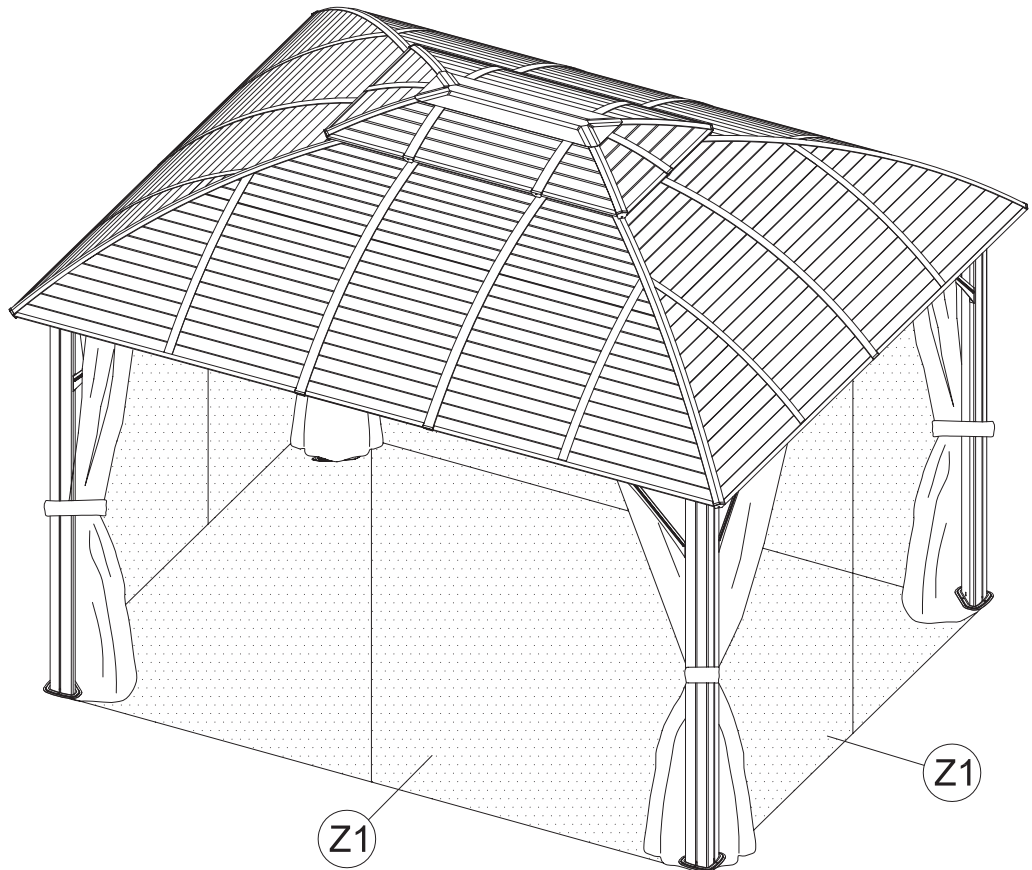


<17>

Z1 4x



Z1



18