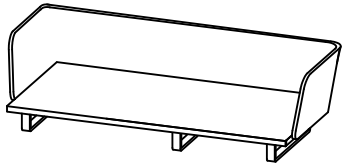


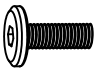
1 = 1x



2 = 1x



A = 2x



M8x20

B = 2x

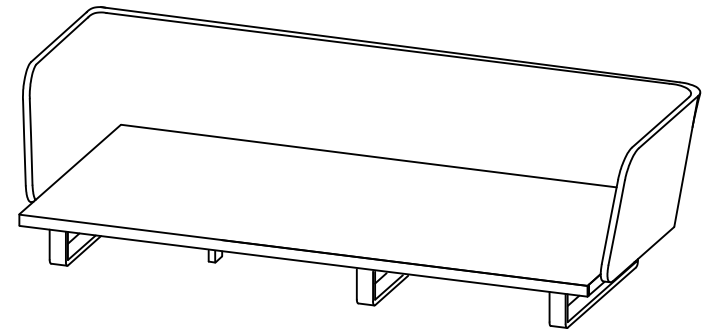
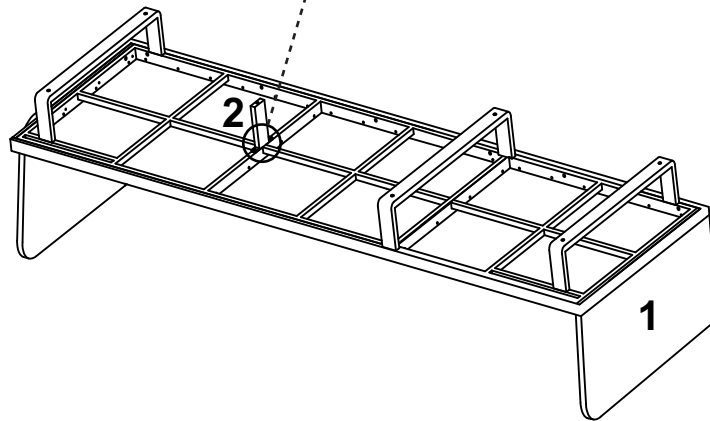
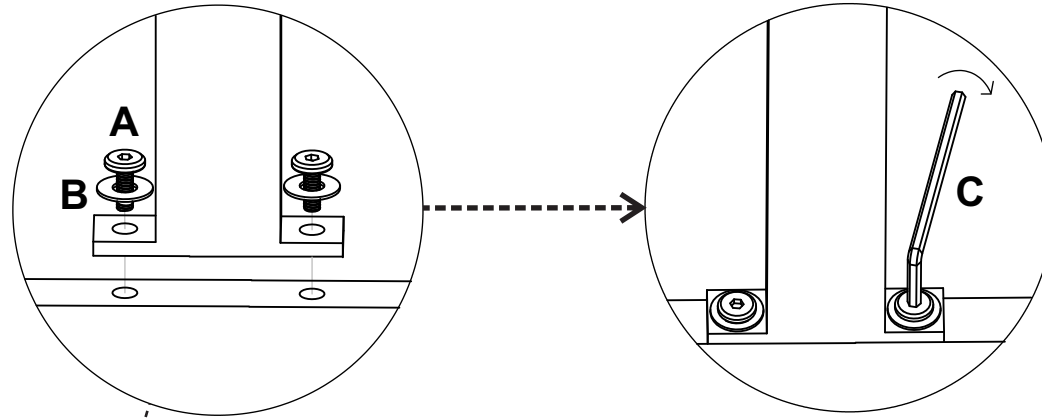


M8

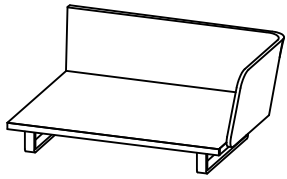
C = 1x



22373



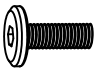
1 = 1x



2 = 1x



A = 2x



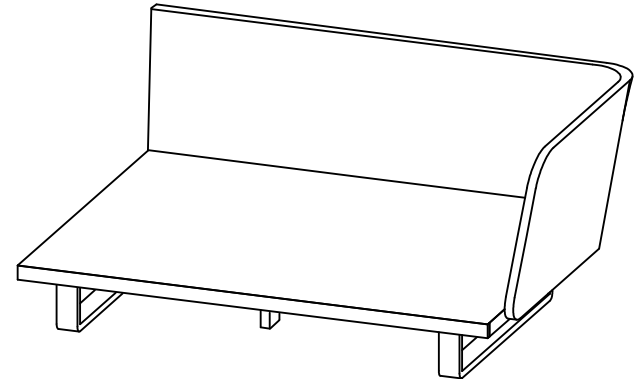
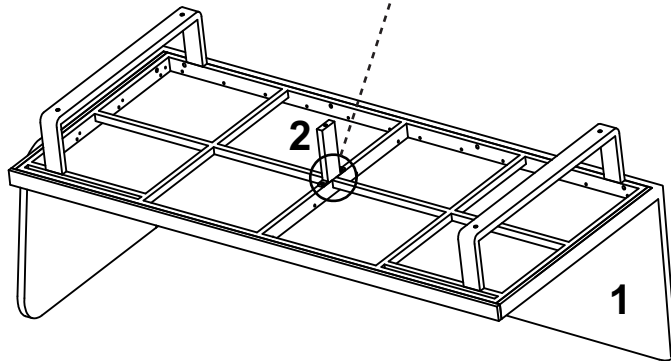
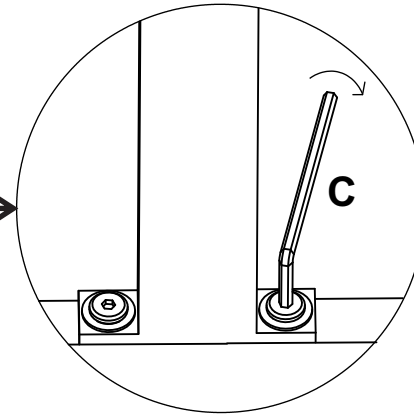
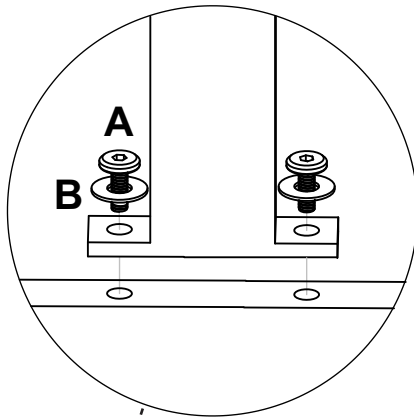
M8x20

B = 2x

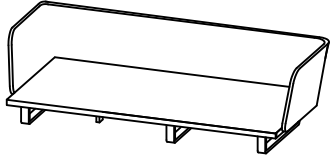


M8

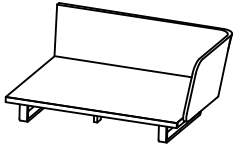
C = 1x



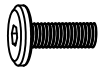
Rechts



Links



A = 2x



M8x20

B = 2x

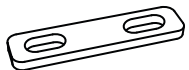


M8

C = 1x



D = 1x



85x20x5

