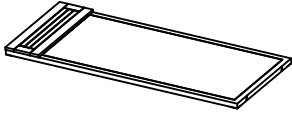



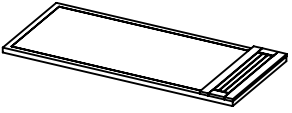


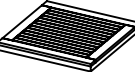









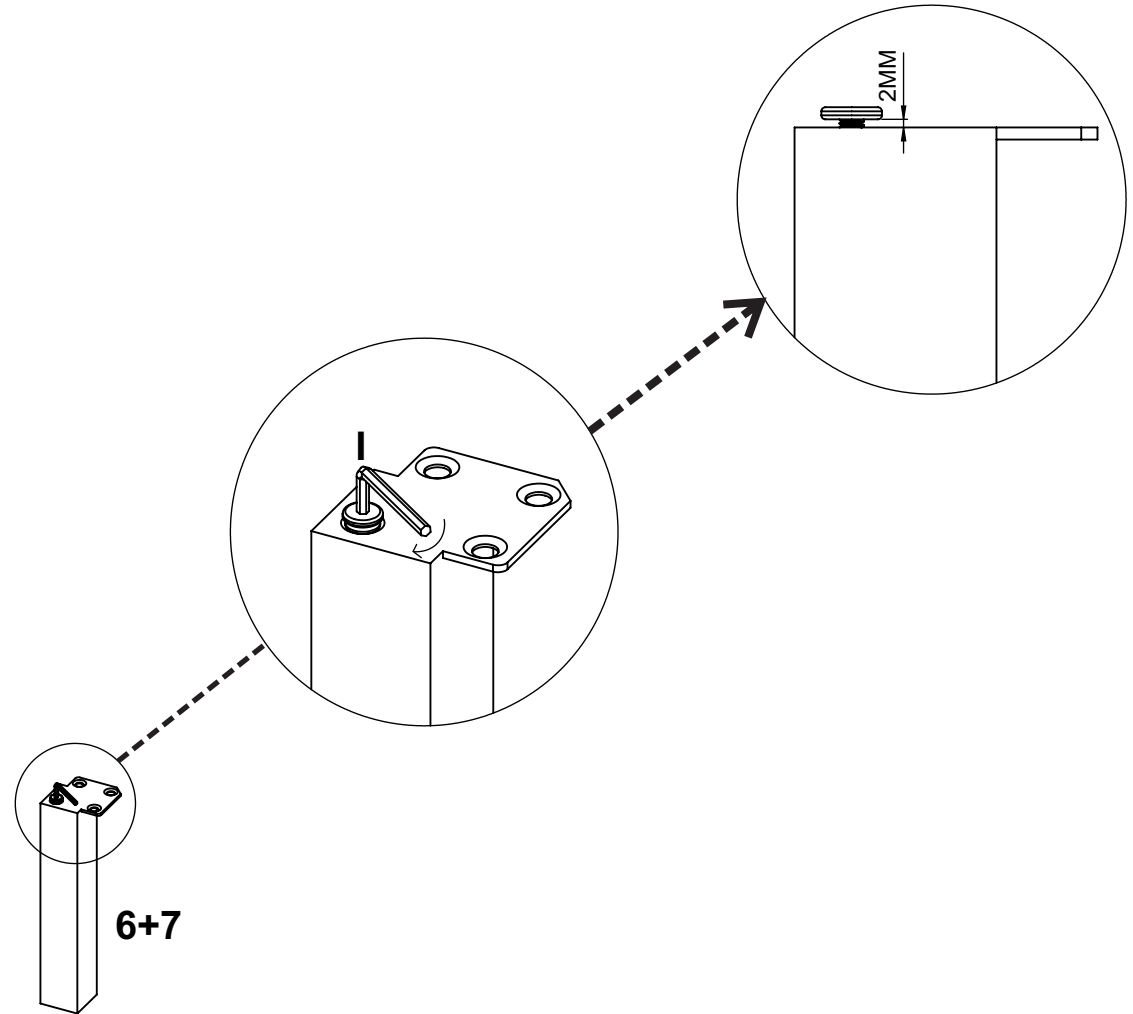
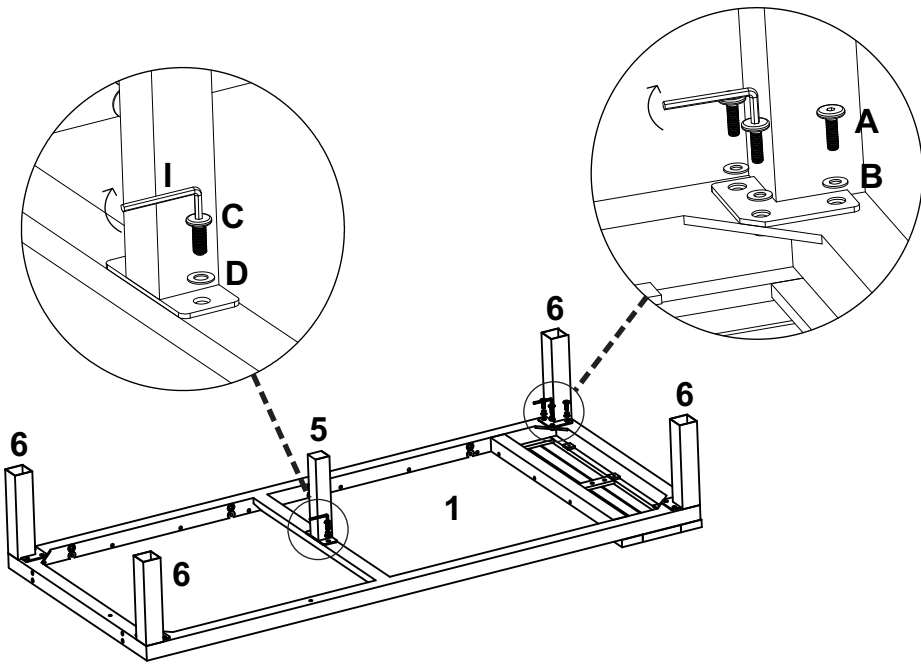


<p>1 = 1x</p> 	<p>A = 36x</p>  <p>M6x20</p>
	<p>B = 36x</p>  <p>M6</p>
	<p>C = 6x</p>  <p>M8x20</p>
<p>2 = 1x</p> 	<p>D = 22x</p>  <p>M8</p>
	<p>E = 8x</p>  <p>M8x60</p>
<p>3 = 1x</p> 	<p>F = 8x</p>  <p>M8x75</p>
<p>4 = 4x</p> 	<p>G = 8x</p>  <p>M8</p>
<p>5 = 2x</p> 	<p>H = 1x</p>  <p>85x20x5</p>
<p>6 = 8x</p> 	<p>I = 1x</p> 
<p>7 = 4x</p> 	<p>J = 1x</p>  <p>Key 13</p>

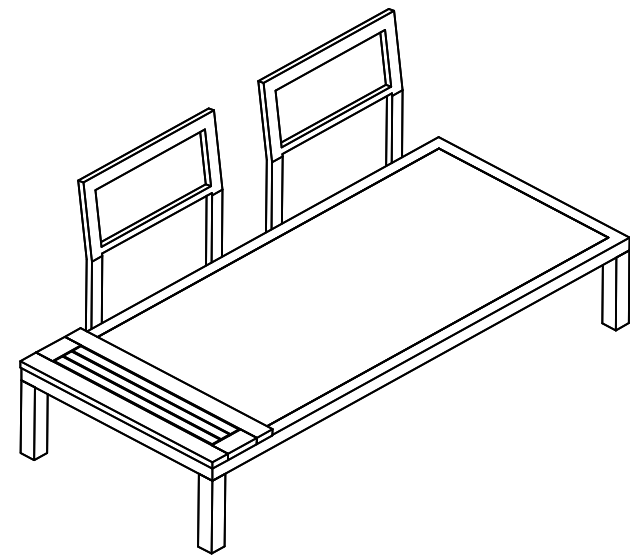
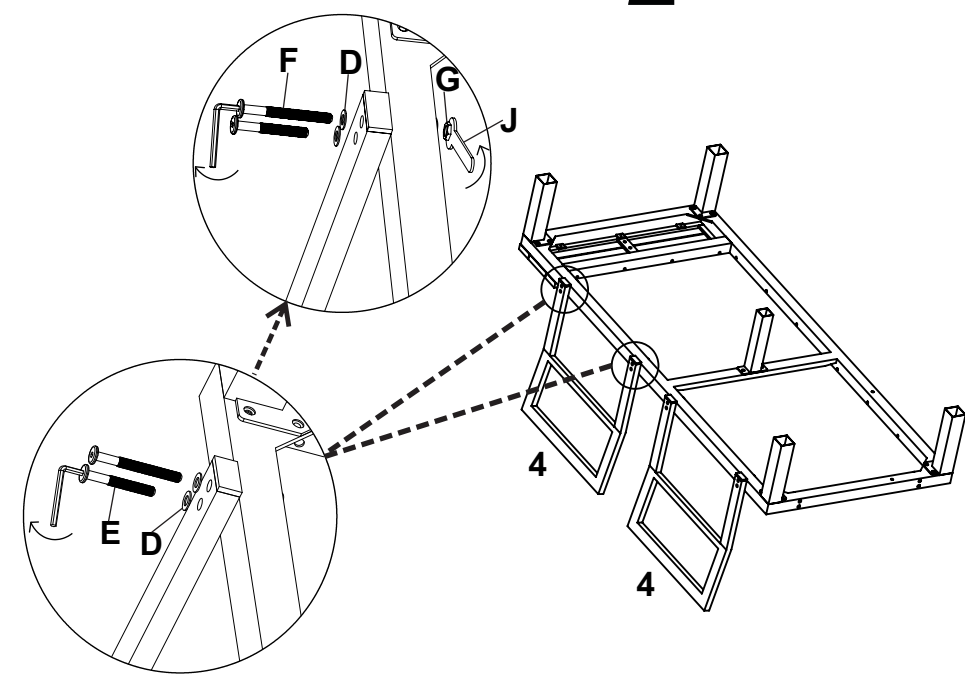
# 22365



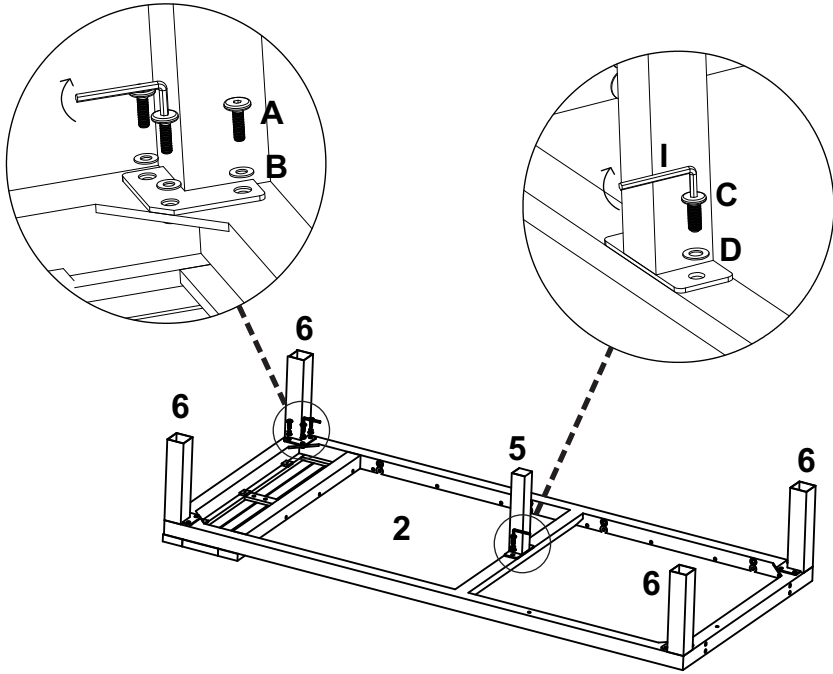
# 1



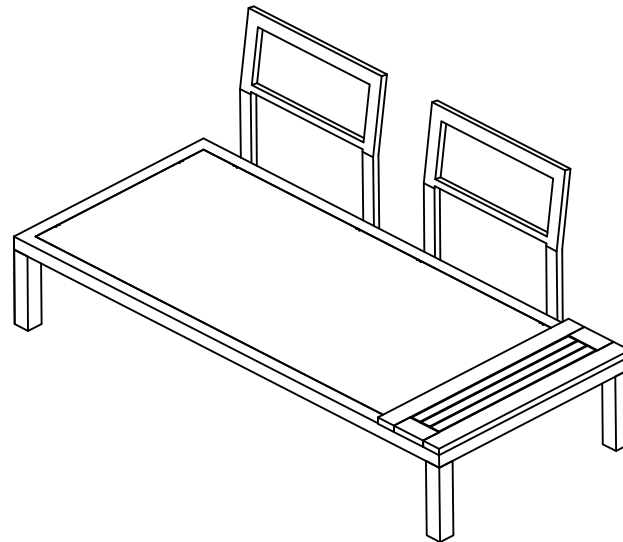
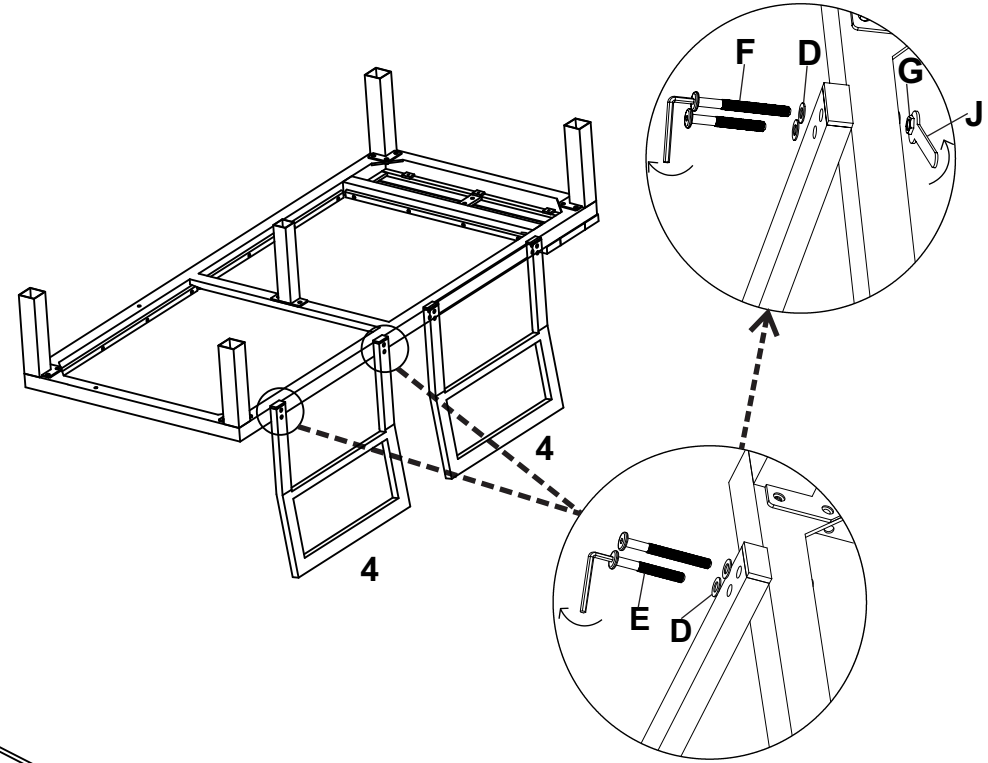
# 2



1

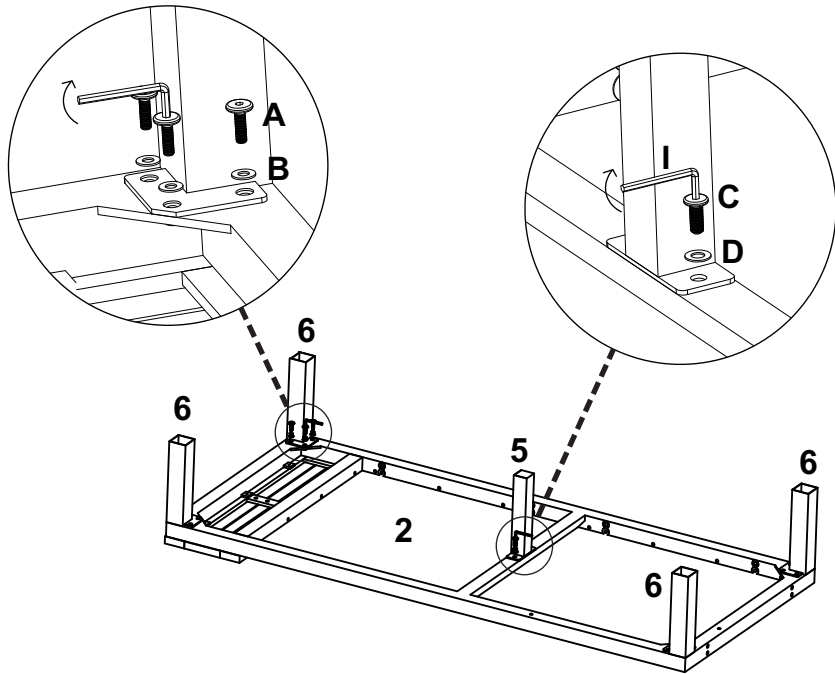


2

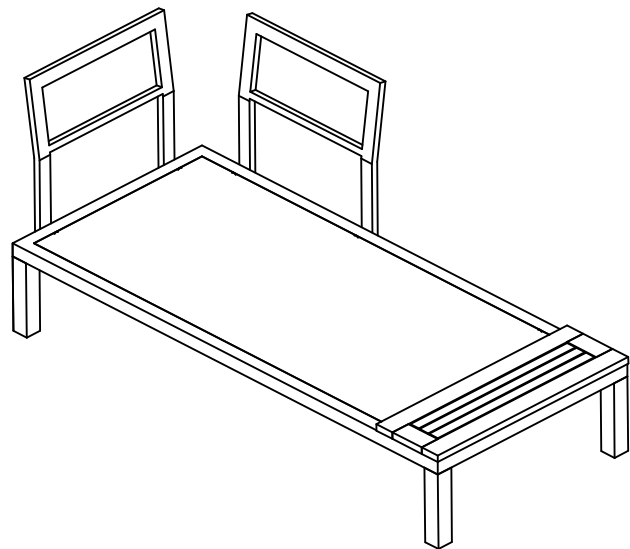
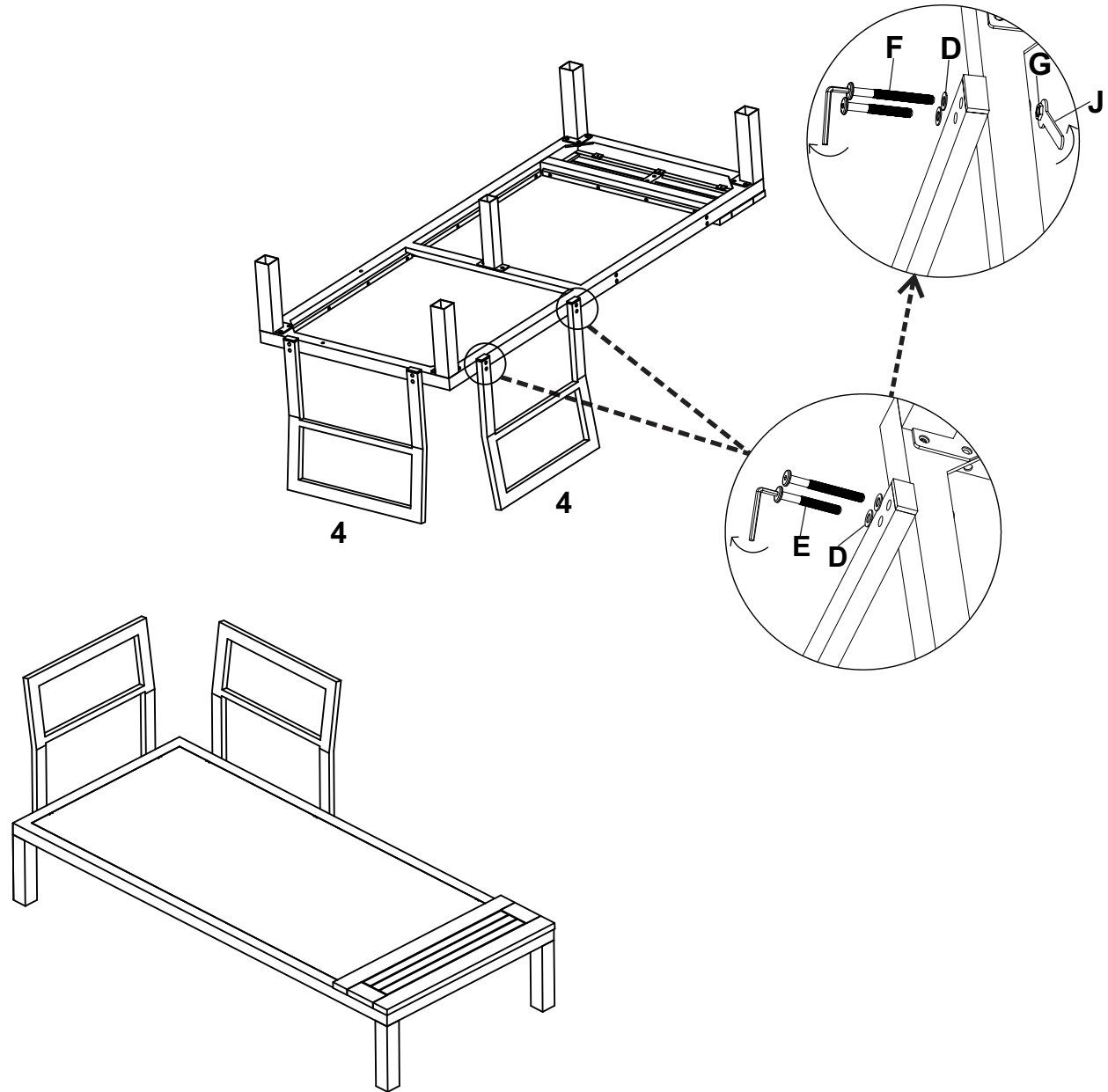


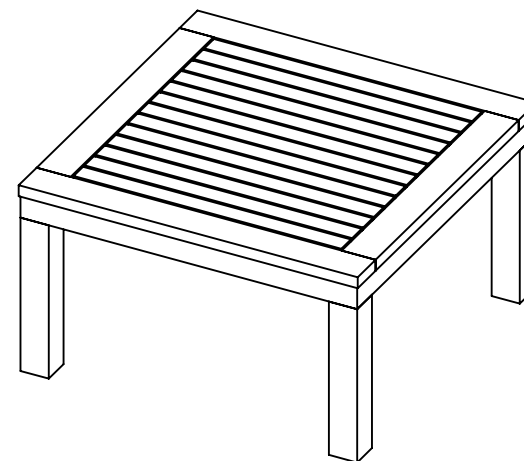
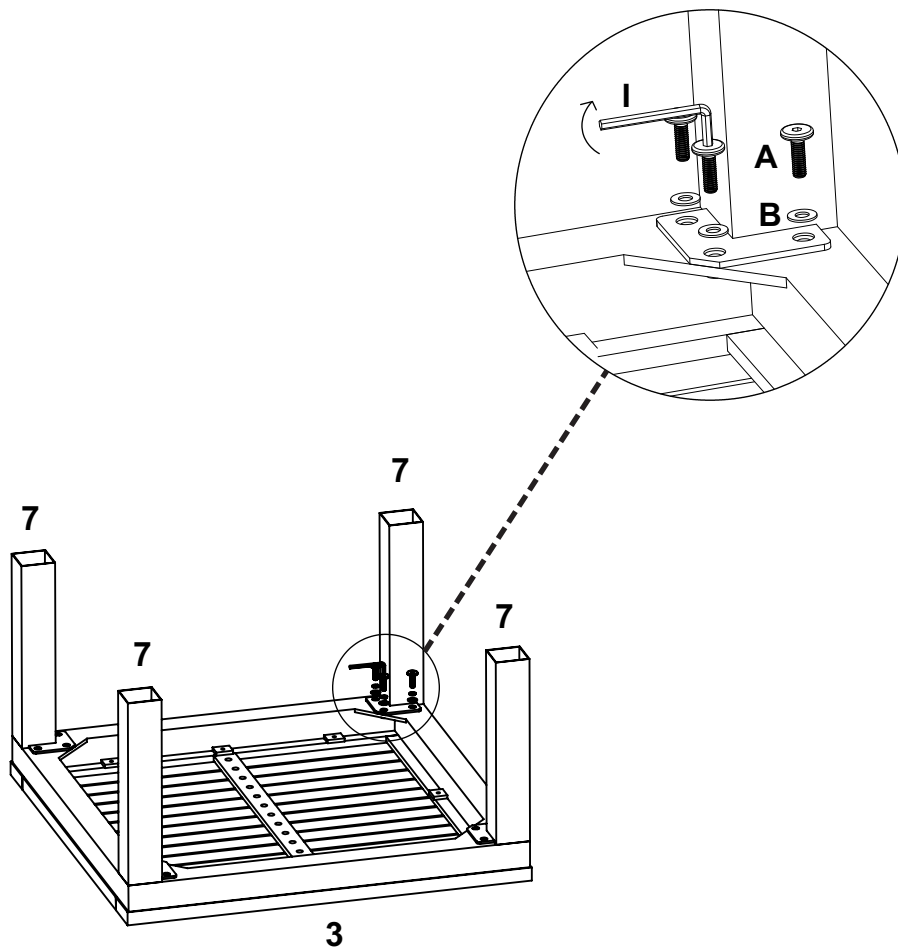
3

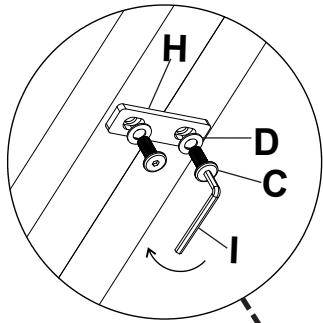
1



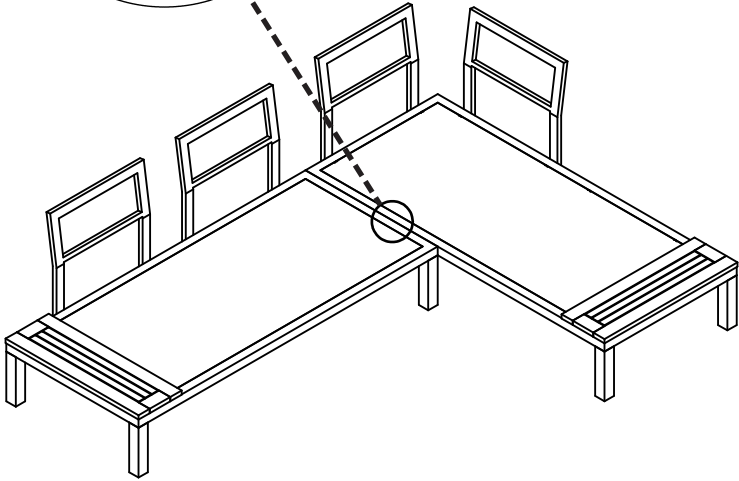
2



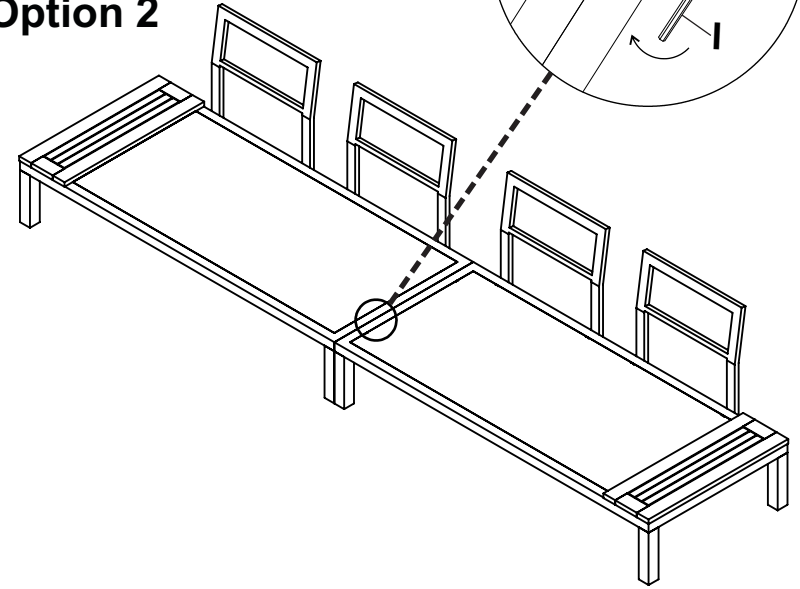
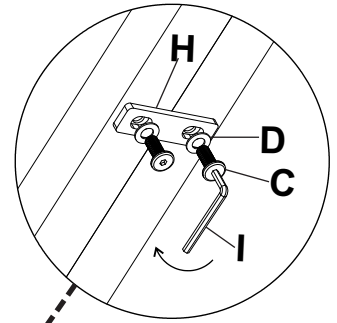




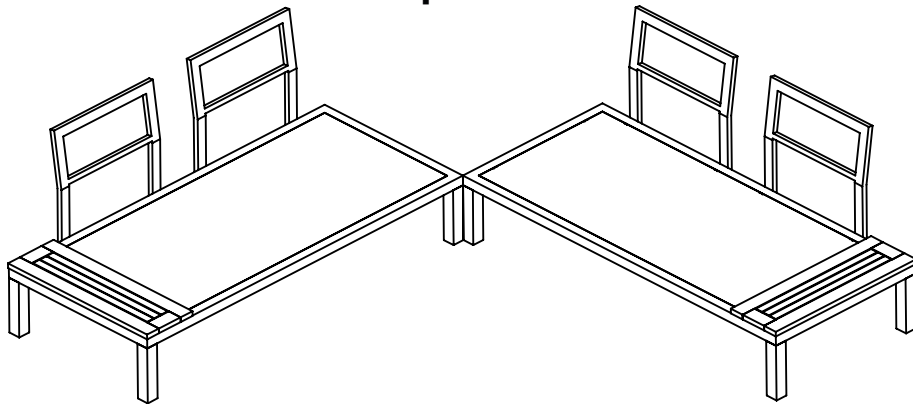
**Option 1**



**Option 2**



**Option 3**



**Option 4**

