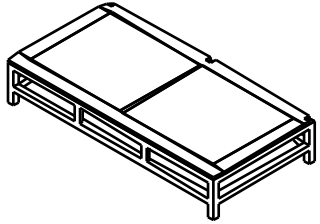
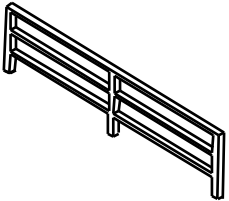


1 = 1x



2 = 1x



A = 6x



M8x20

B = 6x



M8

C = 6x

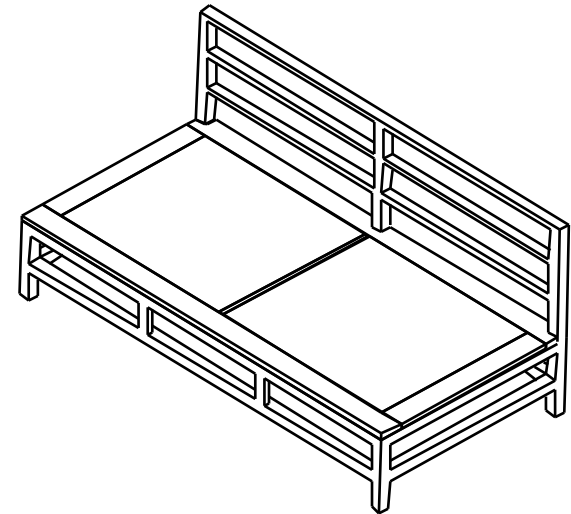
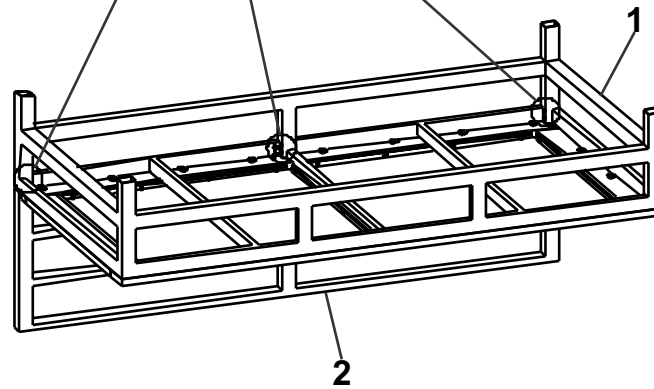
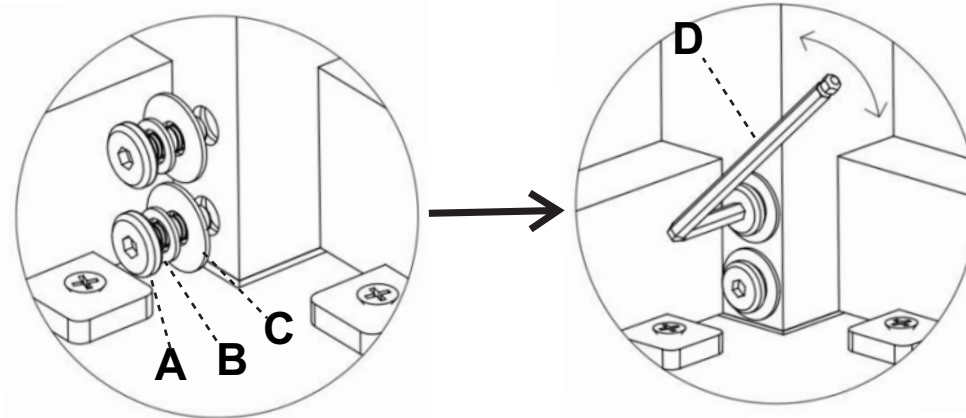


M8

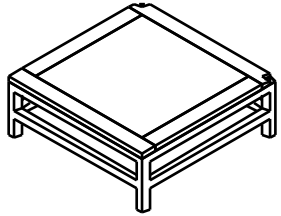
D = 1x



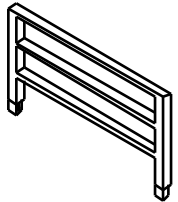
21016



1 = 1x



2 = 1x



A = 4x



M8x20

B = 4x



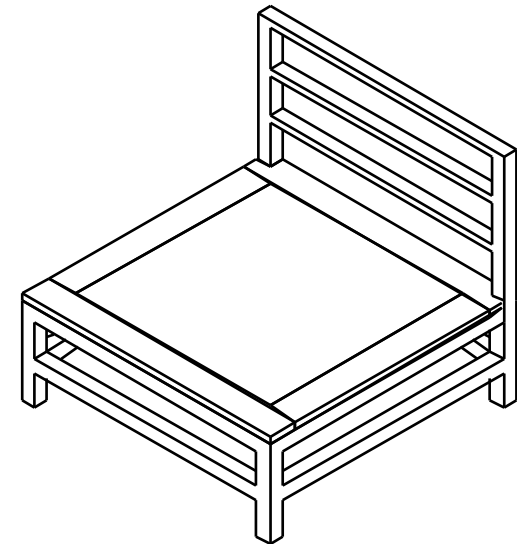
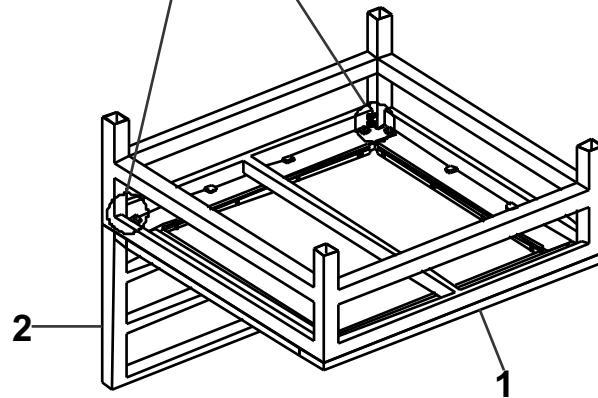
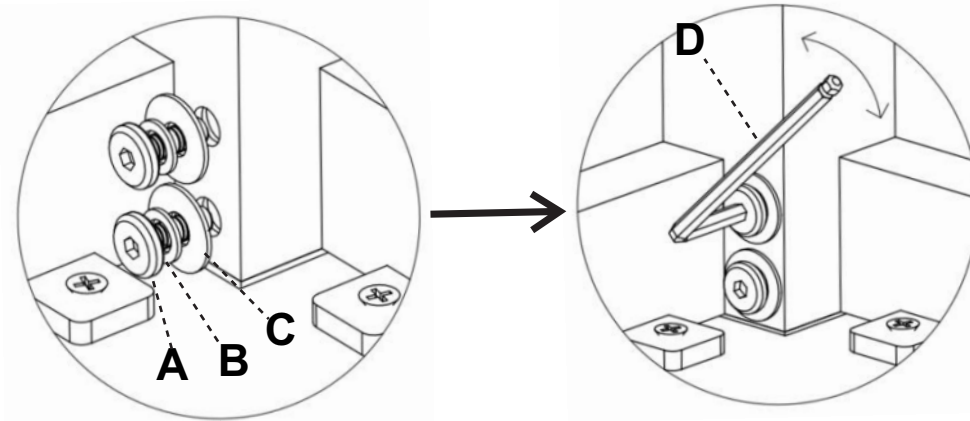
M8

C = 4x

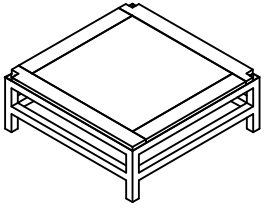


M8

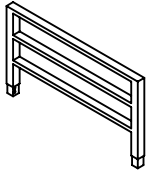
D = 1x



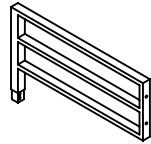
1 = 1x



2 = 1x



3 = 1x



A = 6x



M8x20

B = 8x



M8

C = 8x



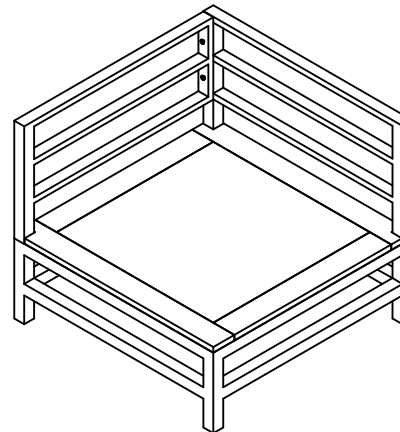
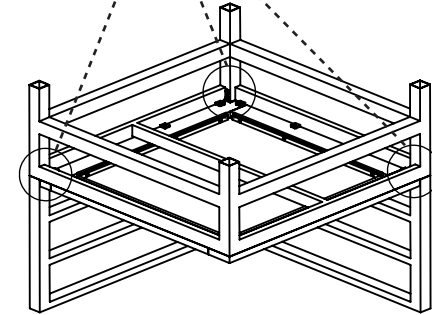
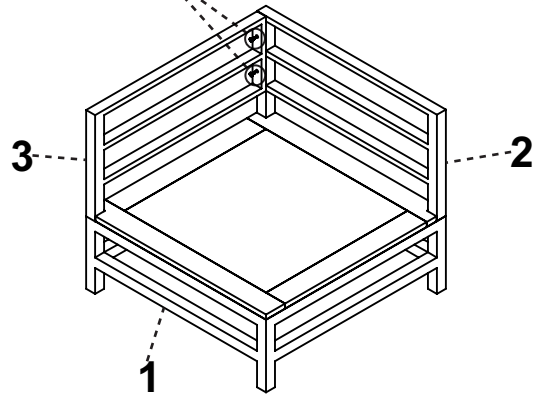
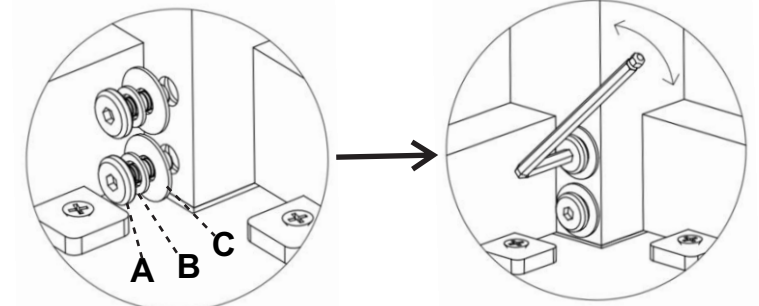
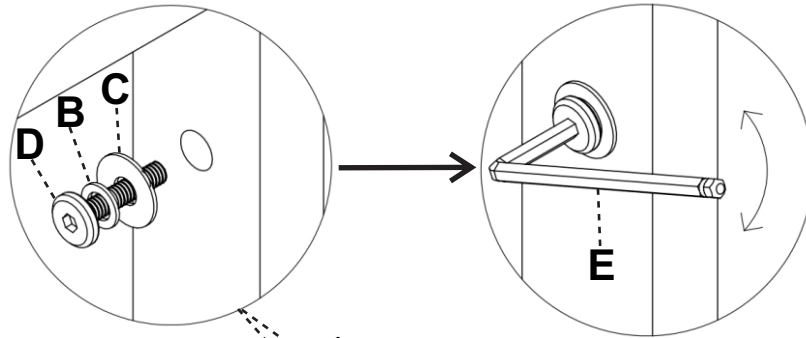
M8

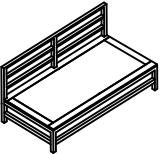
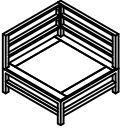
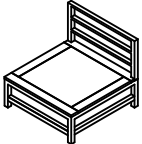
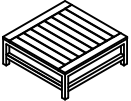
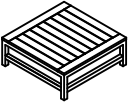



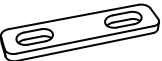
D = 2x



M8x40

E = 1x



Bench	
Corner	
Chair	
Footrest	
Table	
A = 6x	 M8x20
B = 6x	 M8
C = 6x	 M8
D = 3x	 85x20x5
E = 1x	