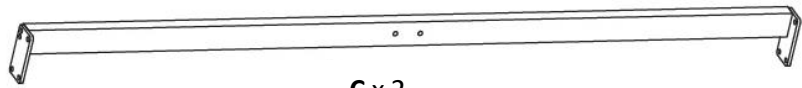


21813



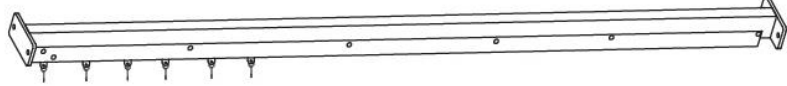
H x 4



C x 2



D x 2



E x 1



N x 1



L x 6



A x 4



U x 4



B x 8



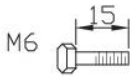
M x 12



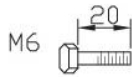
R x 76



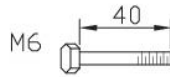
Z x 32



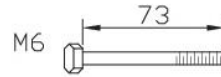
P1 x 48



P2 x 8



P3 x 12



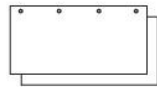
P4 x 8



O x 8



W x 1



Y x 1



S x 18



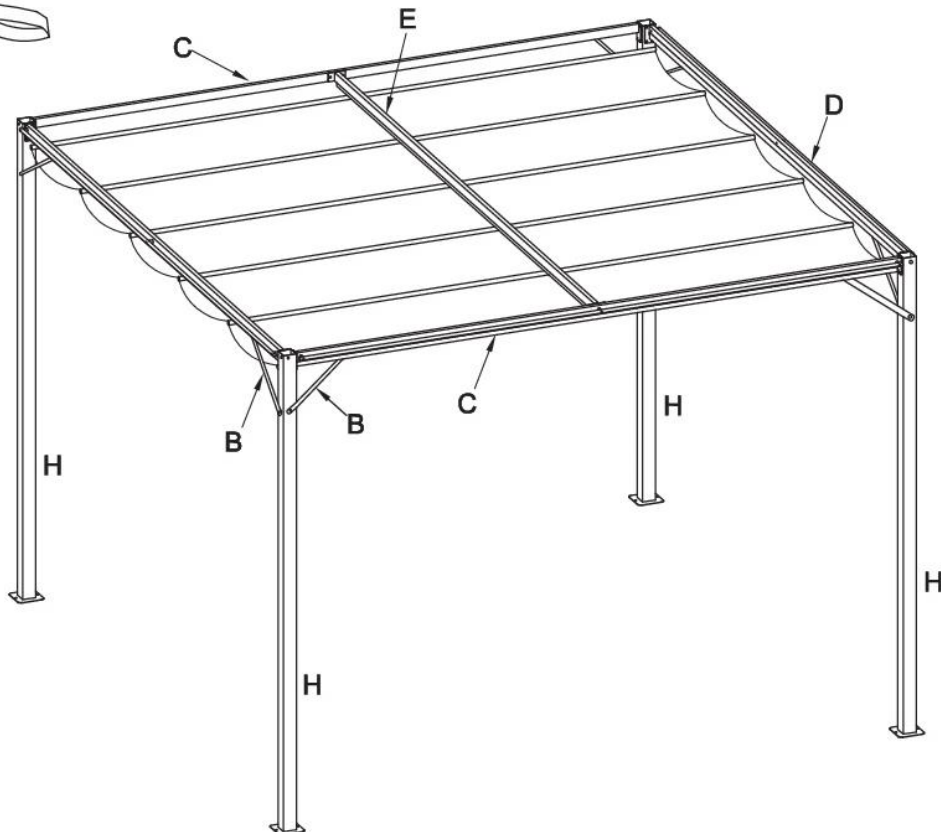
T x 8

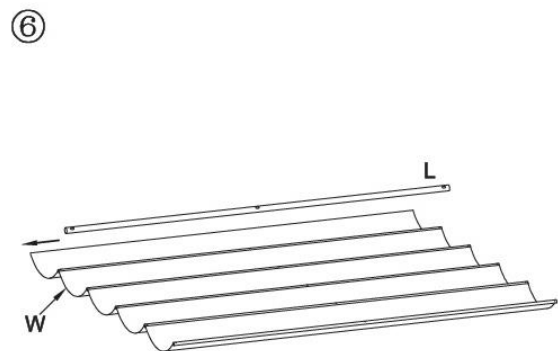
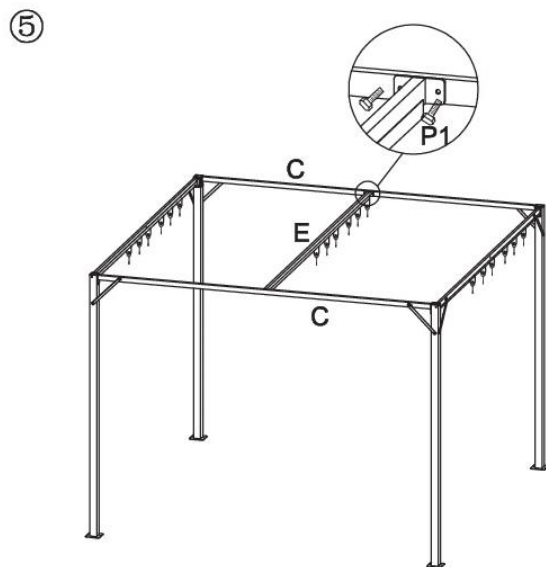
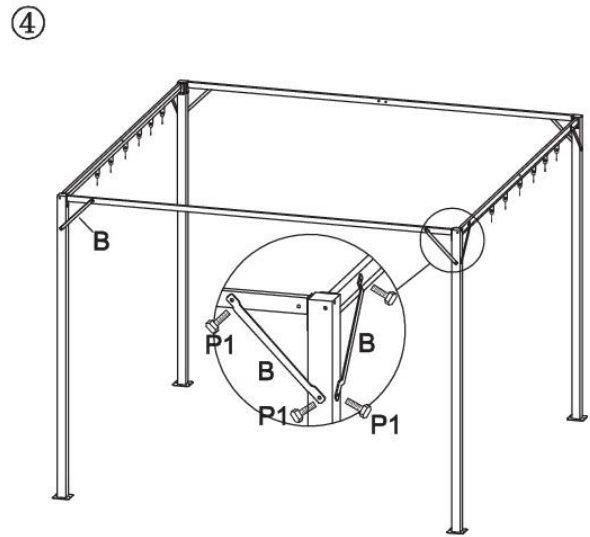
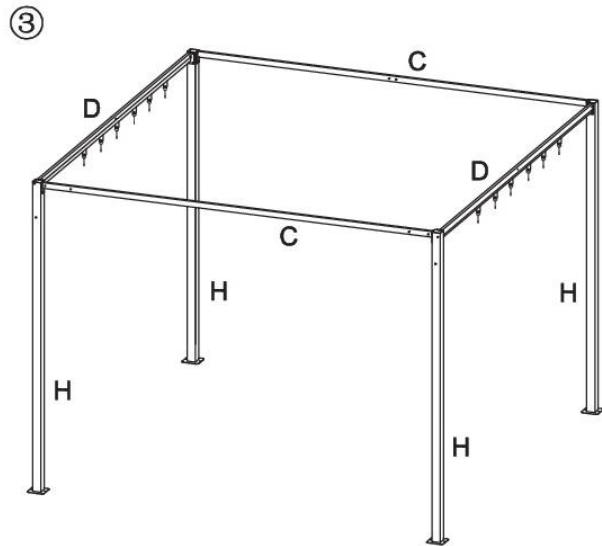
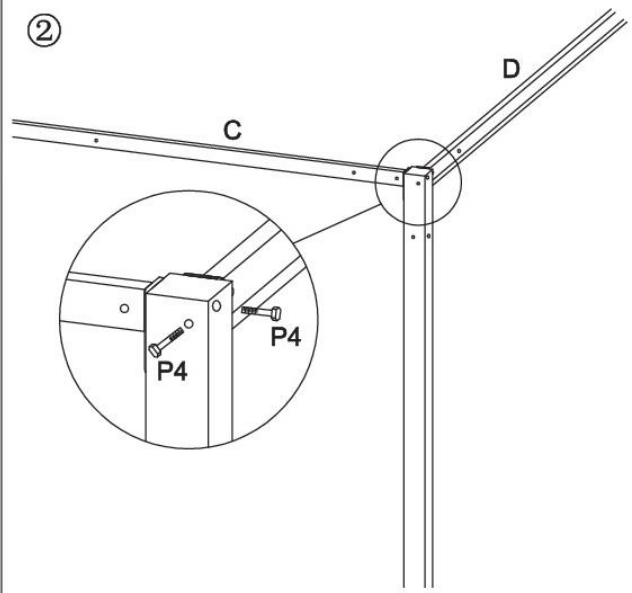
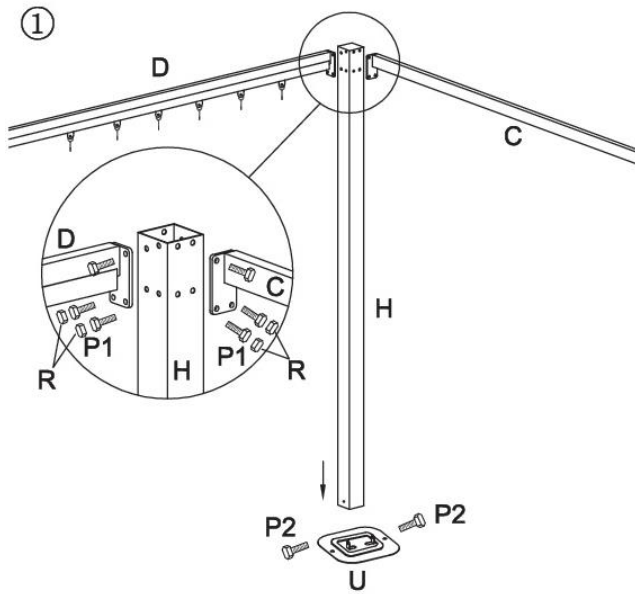


1x

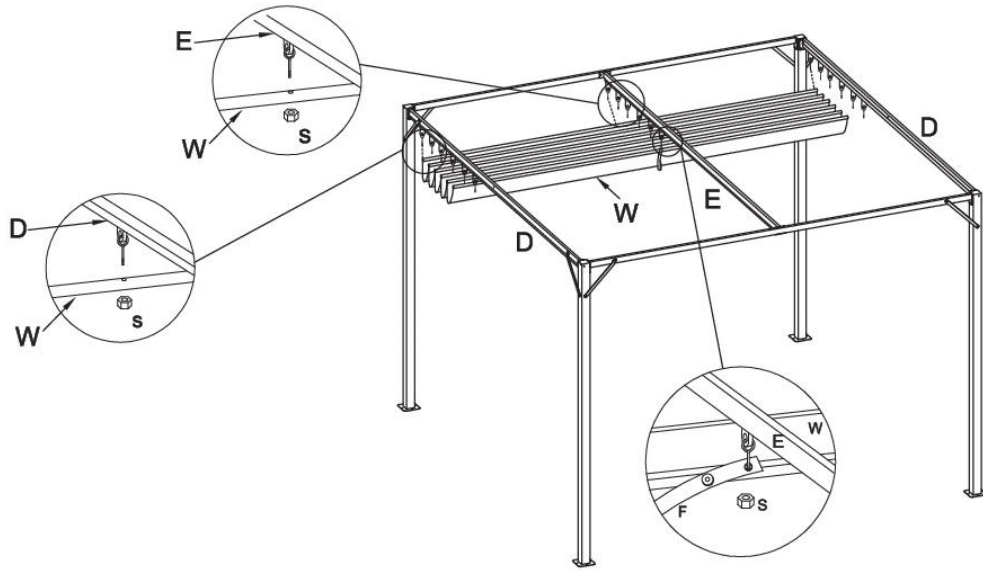


F x 1

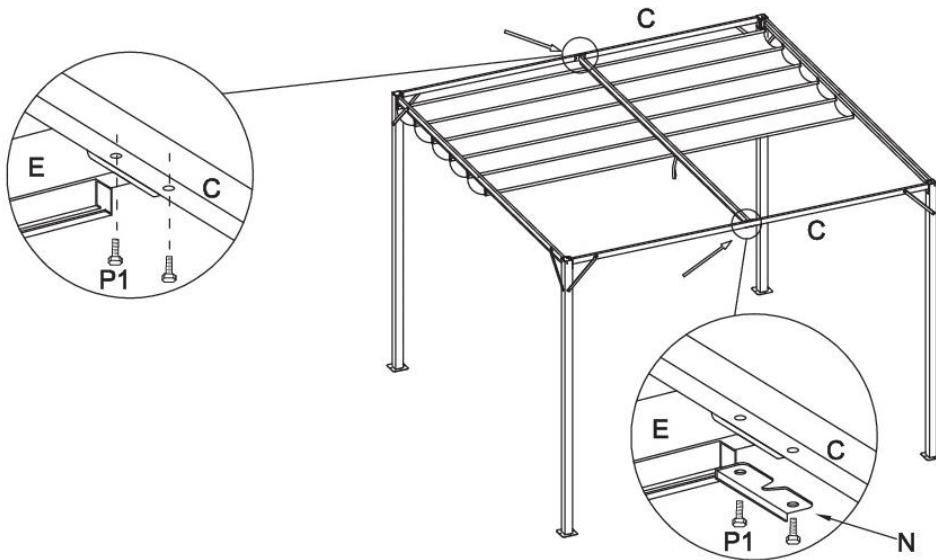




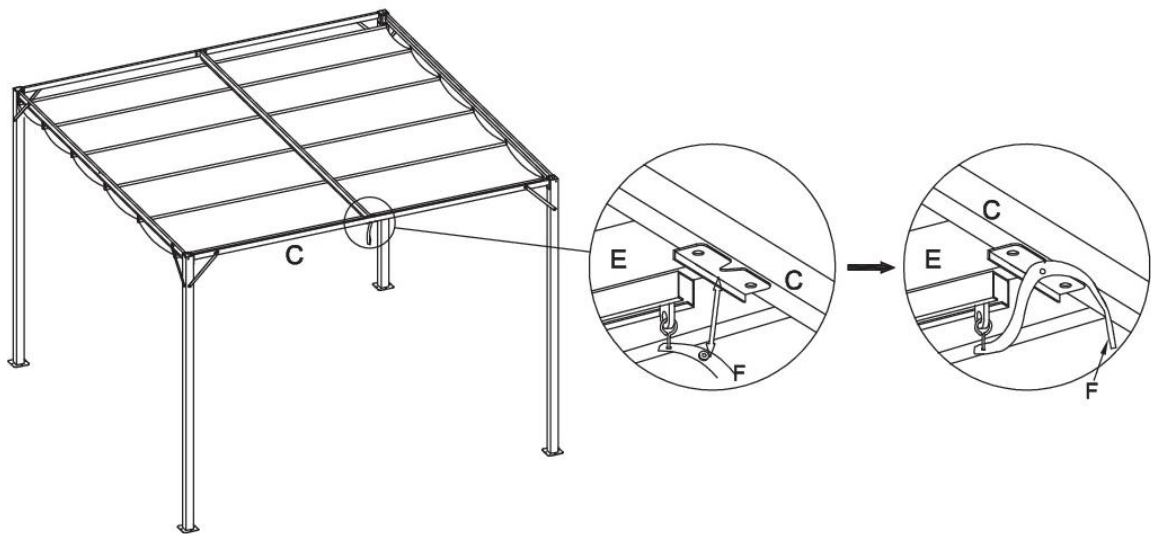
7



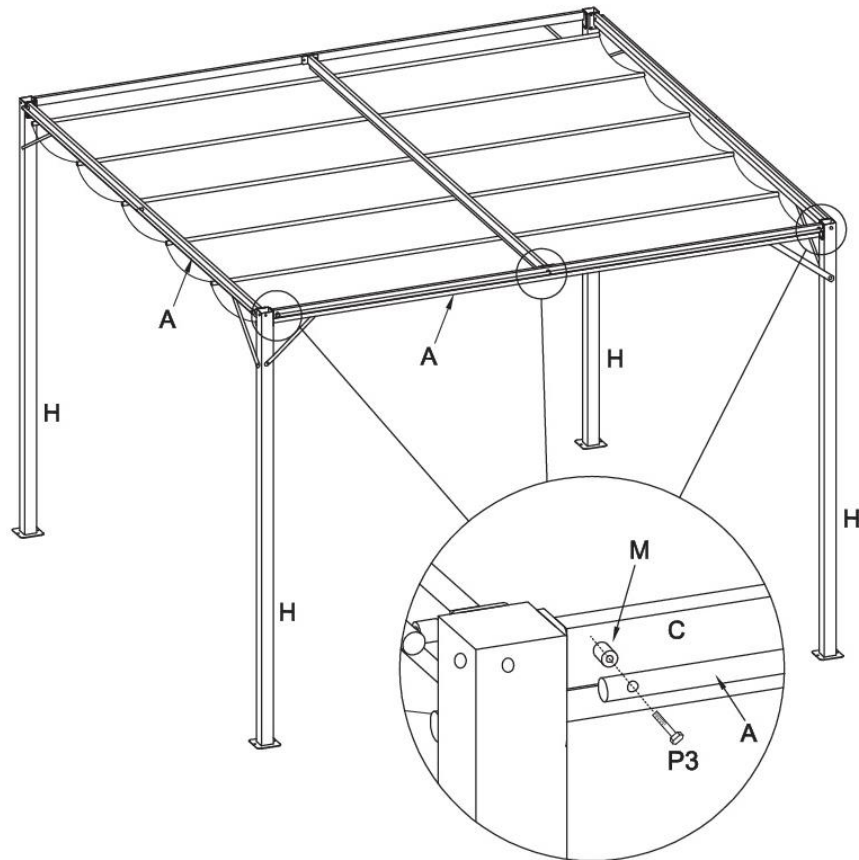
8



9



10



11

