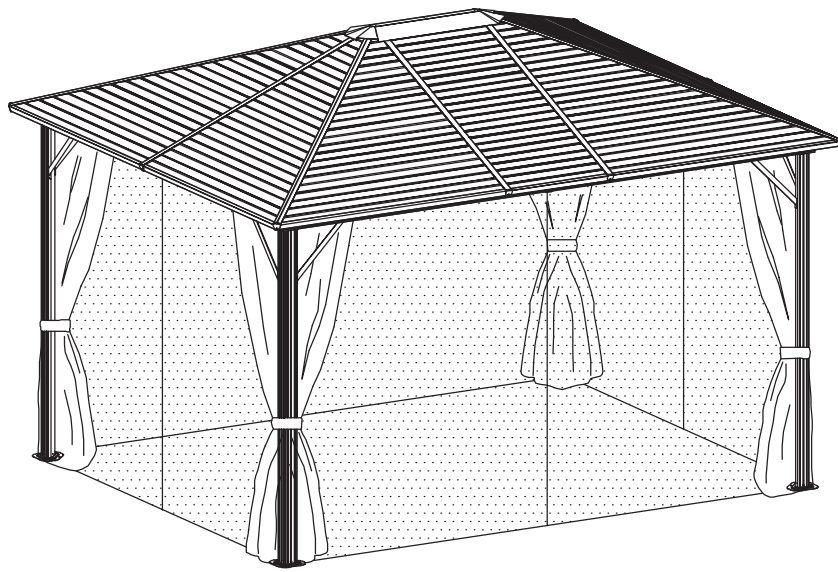


20386



Stückliste/Part List



(A) 4x



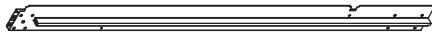
(C) 2x



(C1) 2x



(C2) 2x



(C3) 2x



(D) 4x



(E) 6x



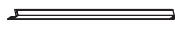
(F) 2x



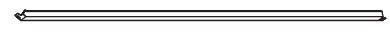
(F1) 4x



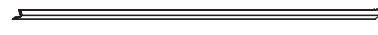
(F2) 4x



(G) 2x



(G1) 4x



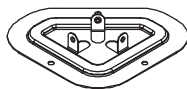
(G2) 4x



(H1) 4x



(H2) 4x



(B) 4x



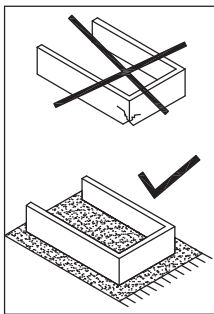
(J) 4x



(K) 4x

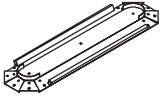
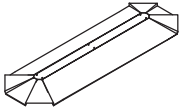


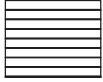

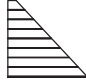
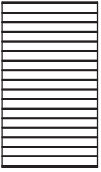
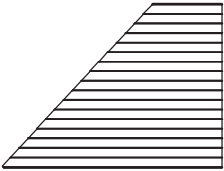
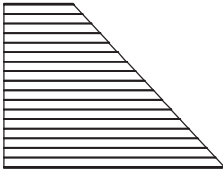
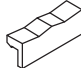
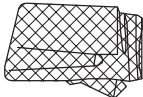










(K1) 4x



2

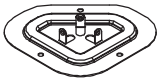
Stückliste

 L 1x	 M 1x	 N 4x	 P 6x
 Q 2x	 Q1 4x	 Q2 4x	 R 2x
 R1 4x	 R2 4x	 S 12x	 T 4x
 U 4x	 V 104x	 W 12x	 S4 X 1x
 32x  85x 1 M6x12	 ST5x16 2 24x	 M5x10 3 16x	

<1>



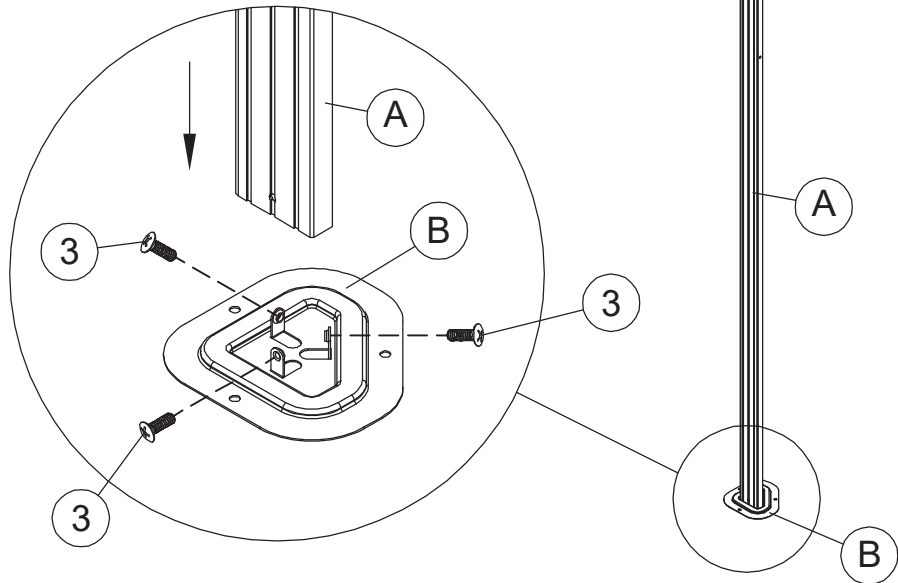
A 4x



B 4x

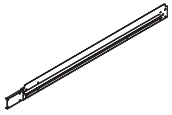


3 12x M5x10



4

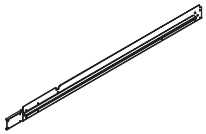
<2>



C 2x



C1 2x



C2 2x



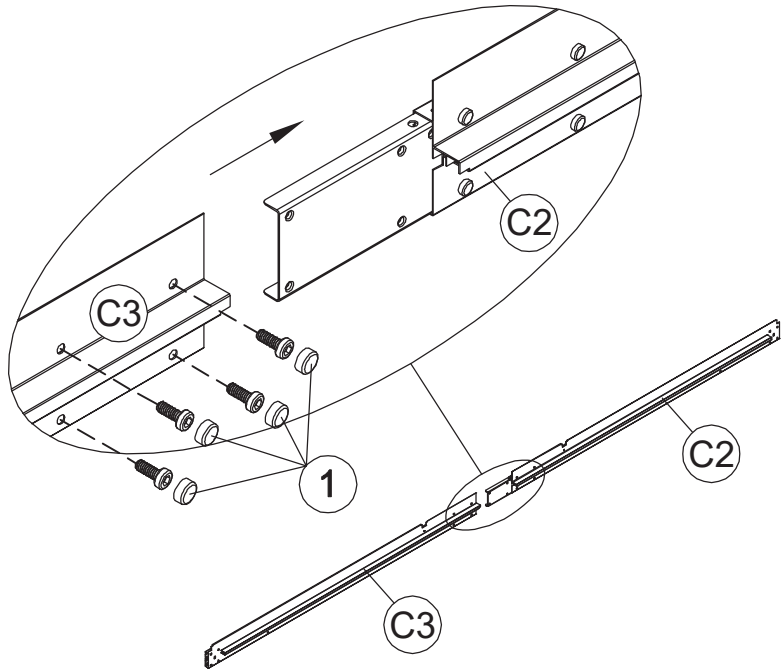
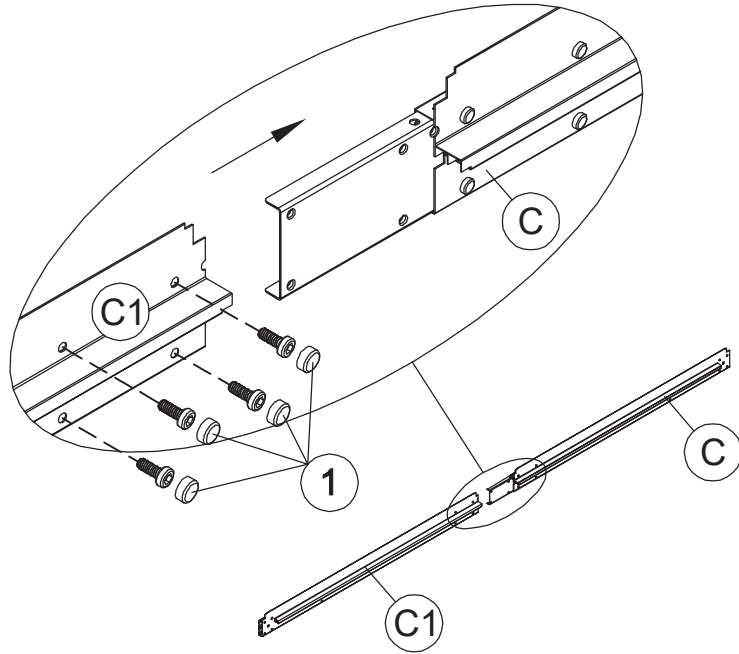
C3 2x



1 16x M6x12



X 1x S4



5



M6x12

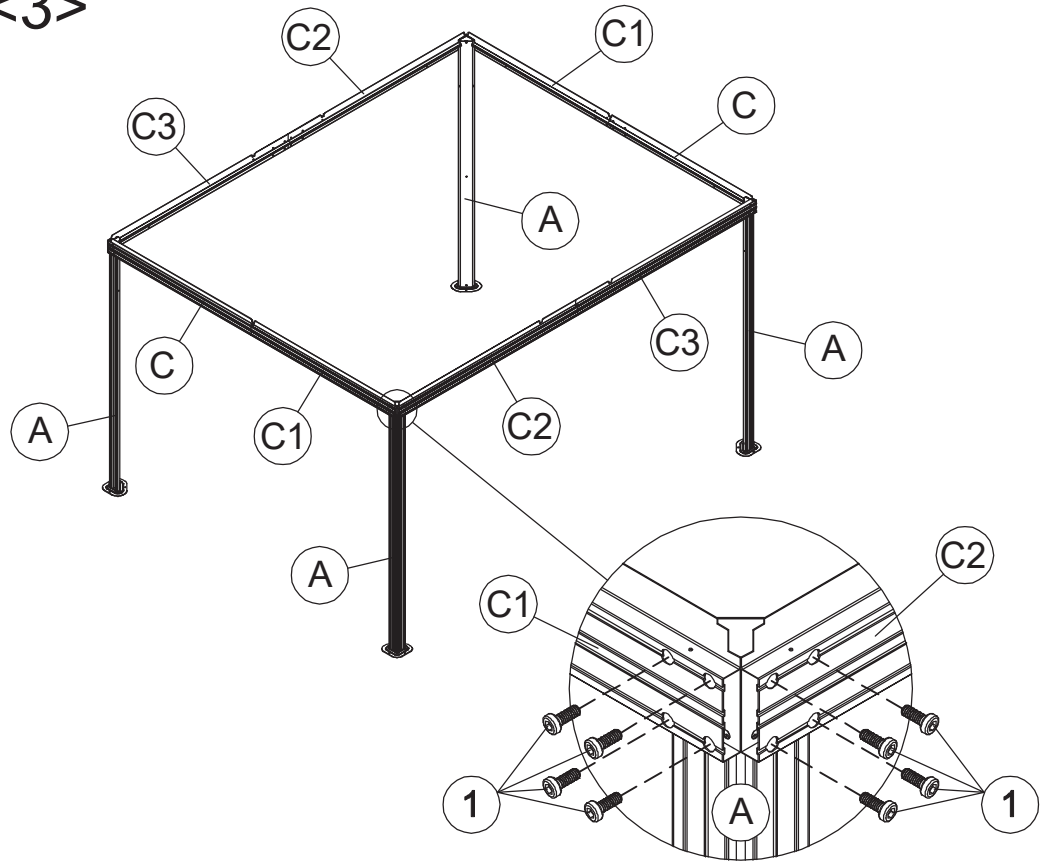
1 32x



S4

X 1x

<3>



H1 4x



H2 4x



M6x12

1 16x

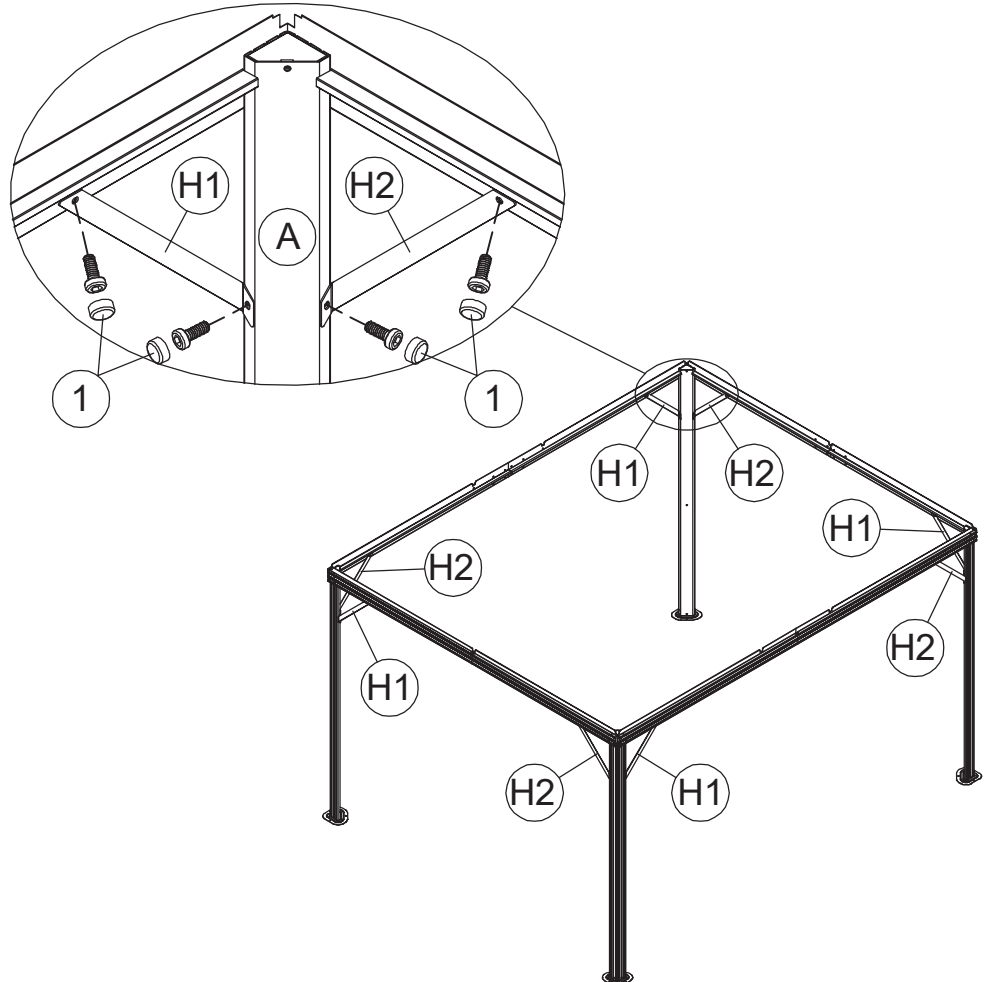


S4

X 1x

6

<4>





J 4x



K 4x



K1 4x



V 104x

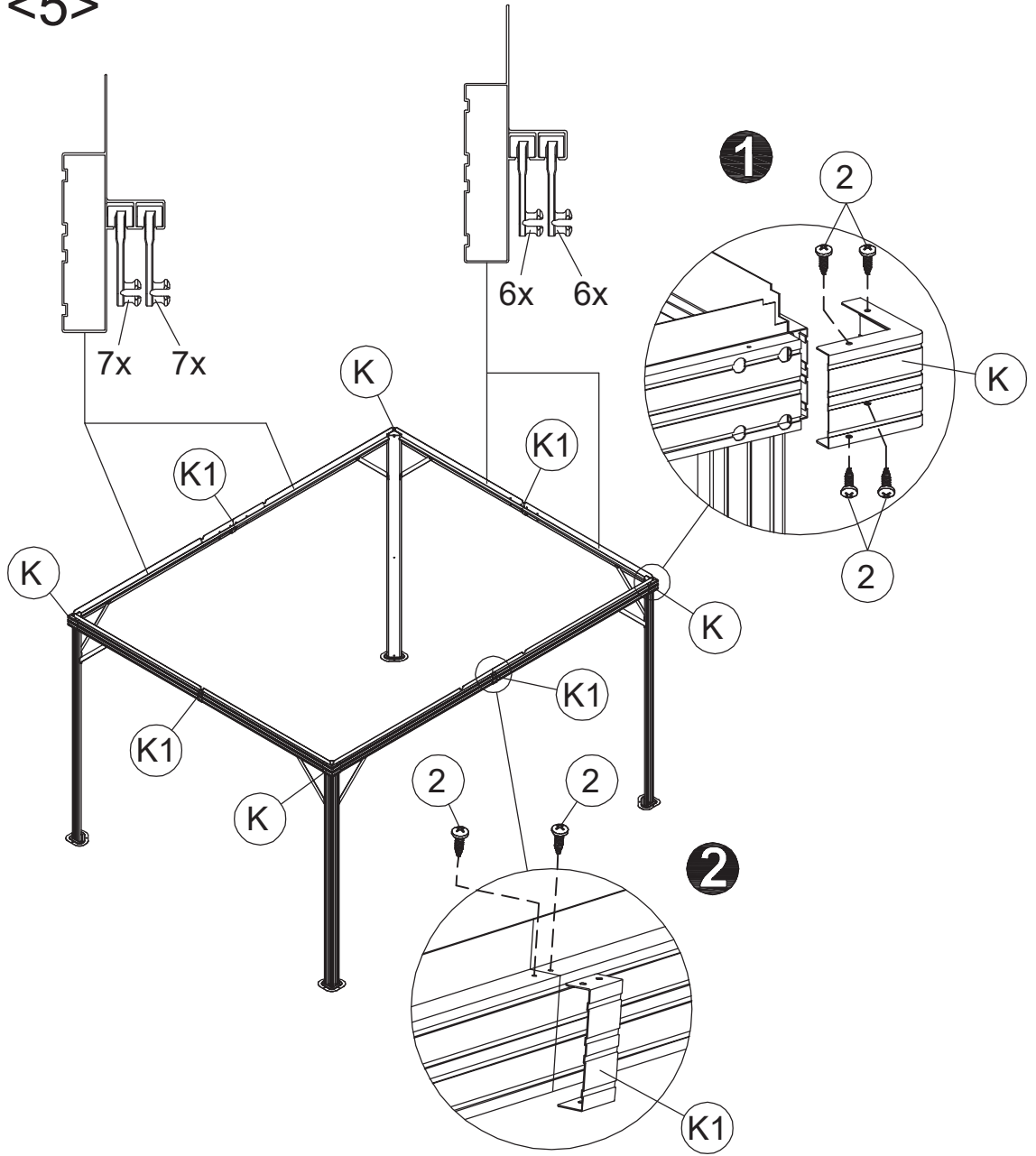


2 24x ST5x16

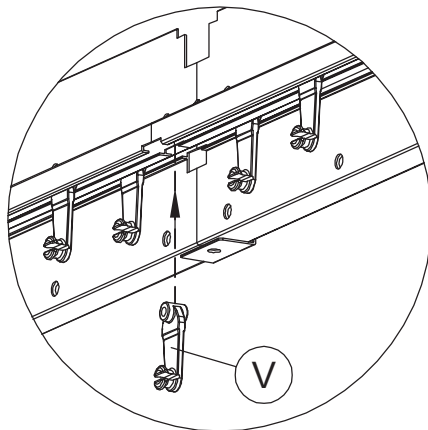


3 4x M5x10

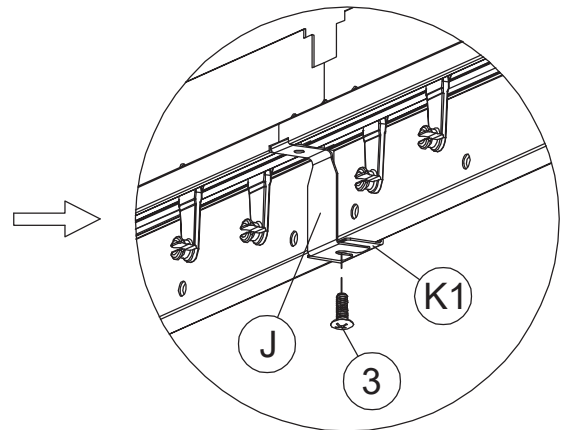
<5>



3



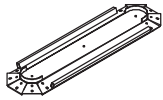
4



7



(D) 4x



(L) 1x



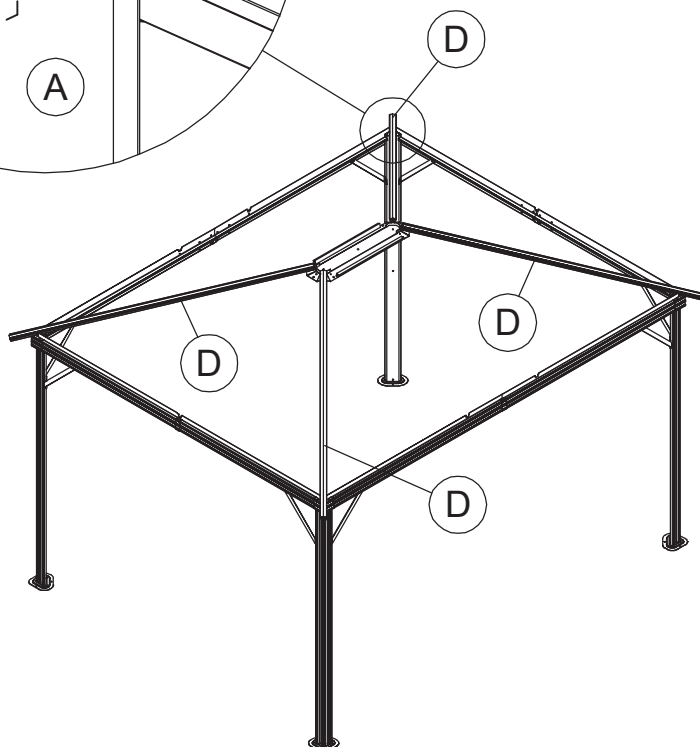
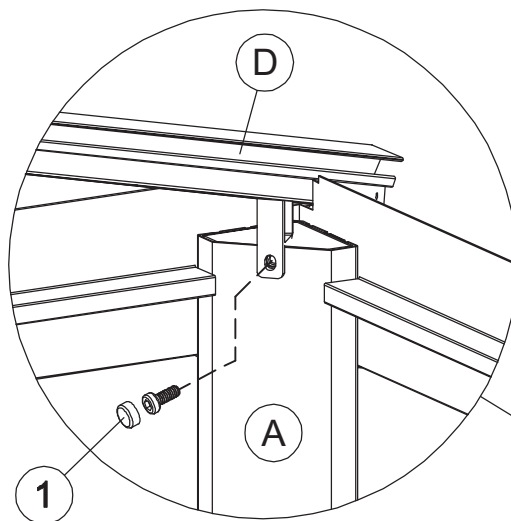
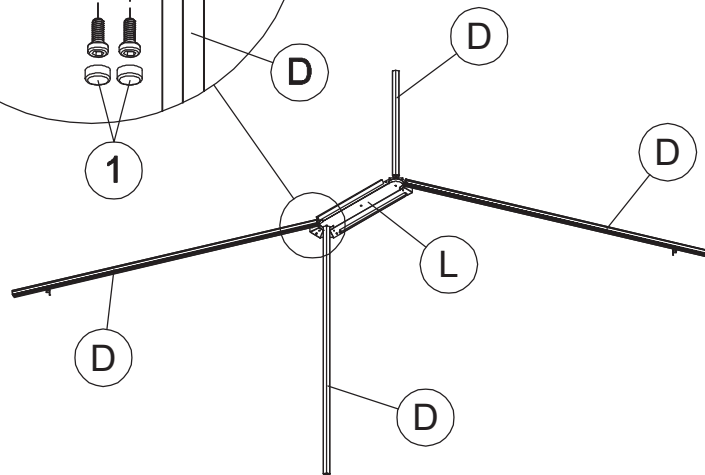
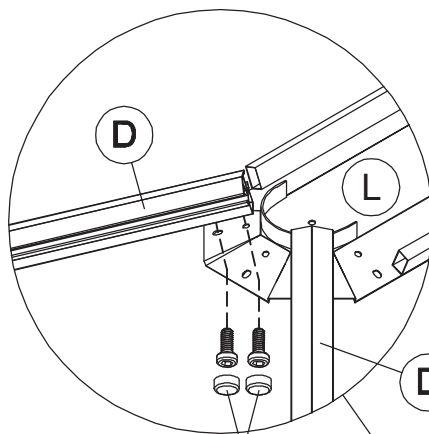
(1) 12x M6x12



(X) 1x S4

8

<6>







<7>

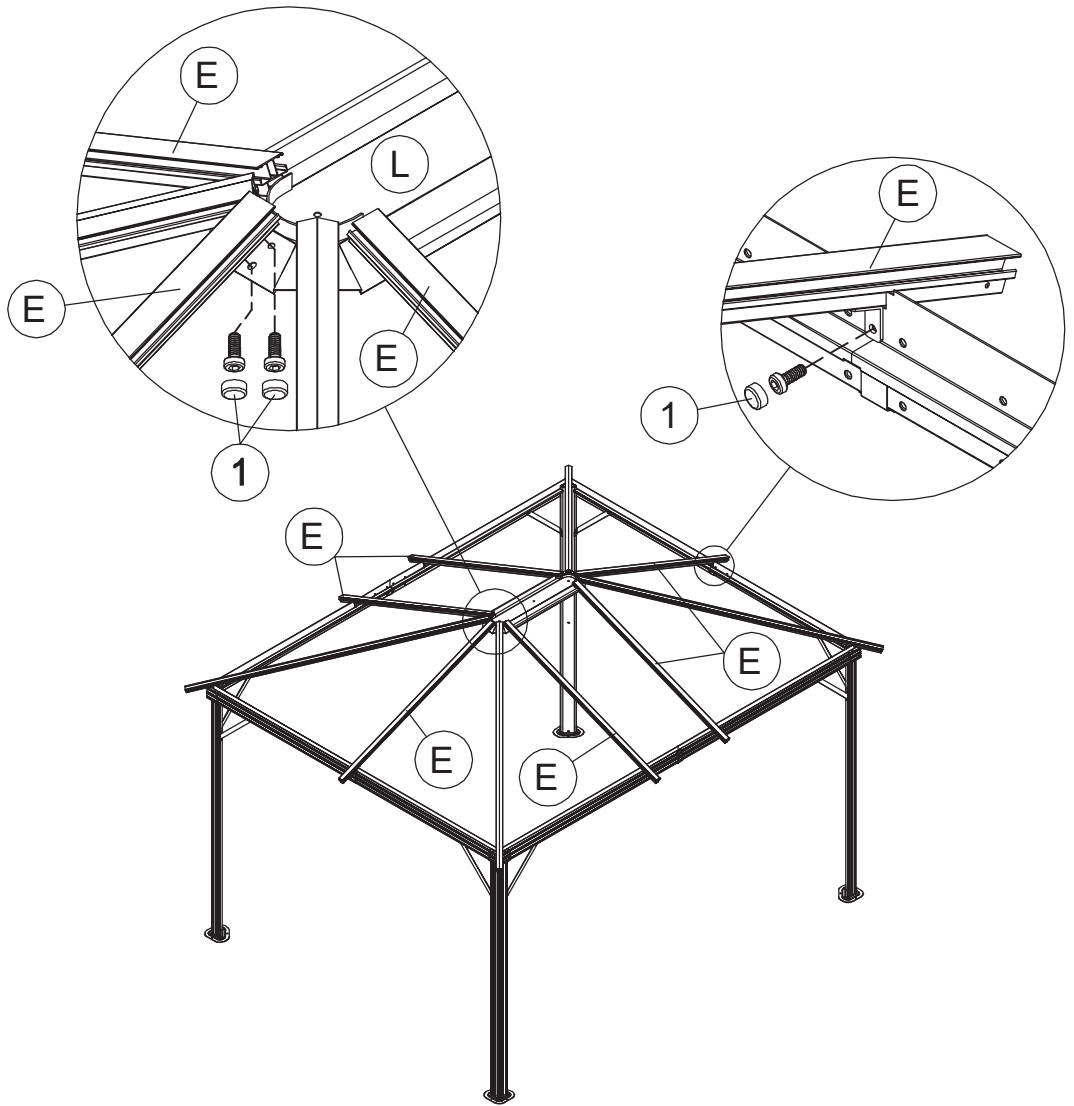
(E) 6x



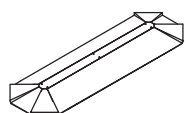
(1) 18x M6x12



(X) 1x



9



<8>

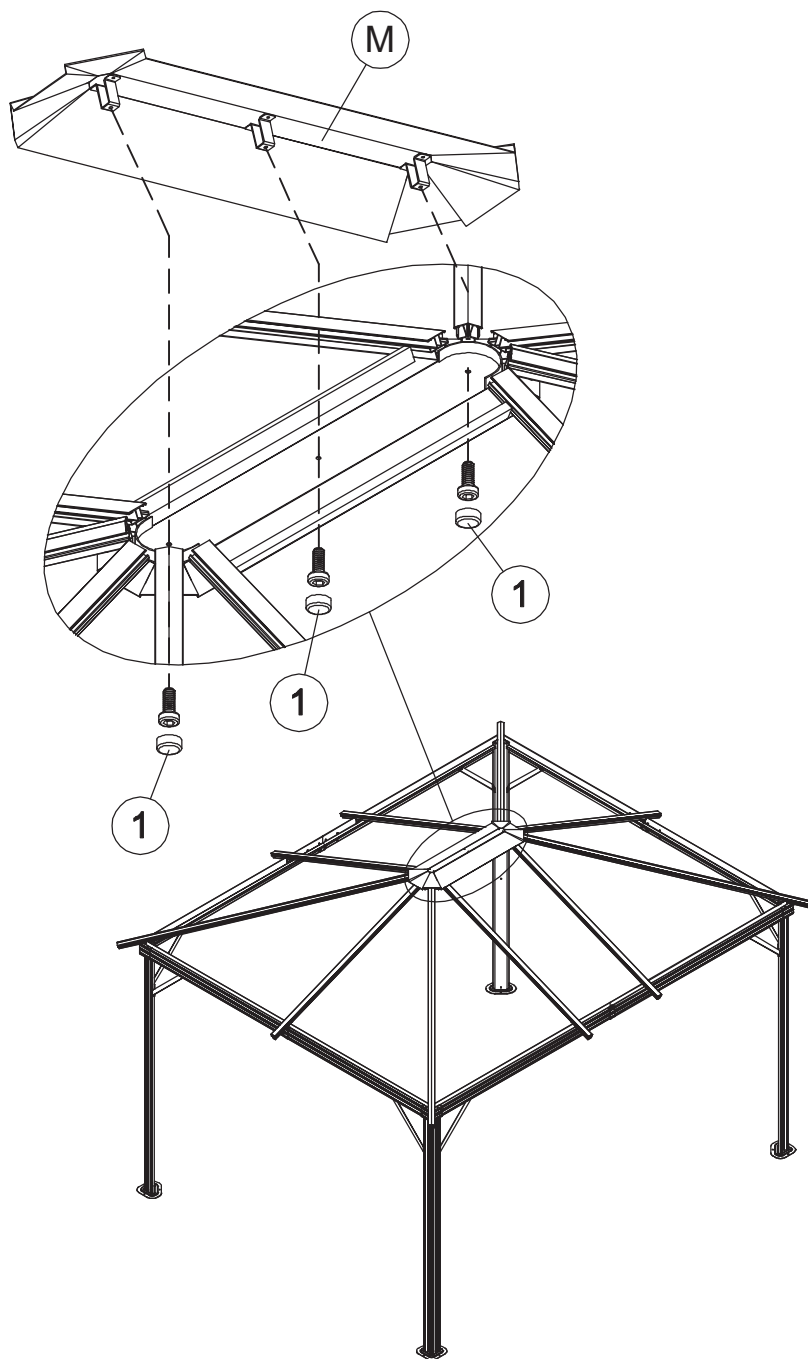
(M) 1x



(1) 3x M6x12



(X) 1x S4



10



(F) 2x



(F1) 4x



(F2) 4x

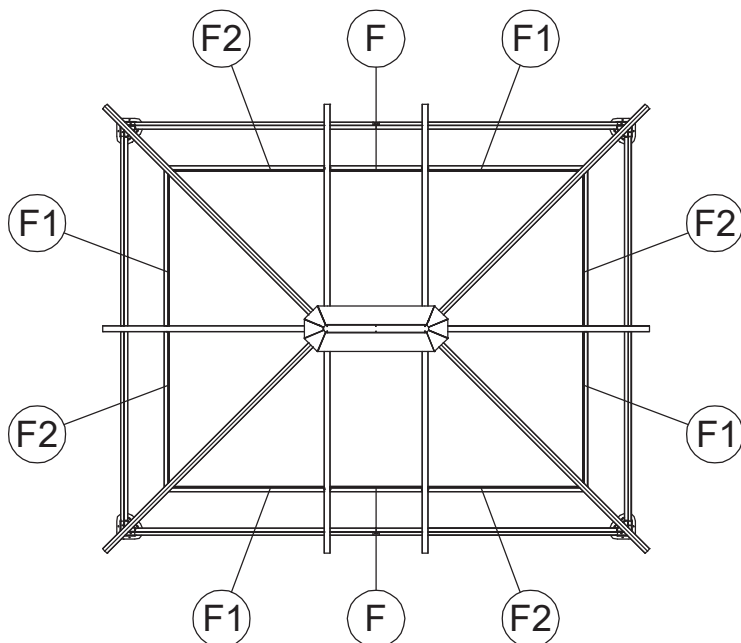
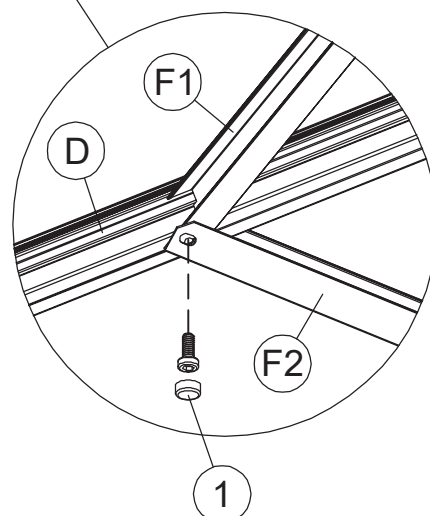
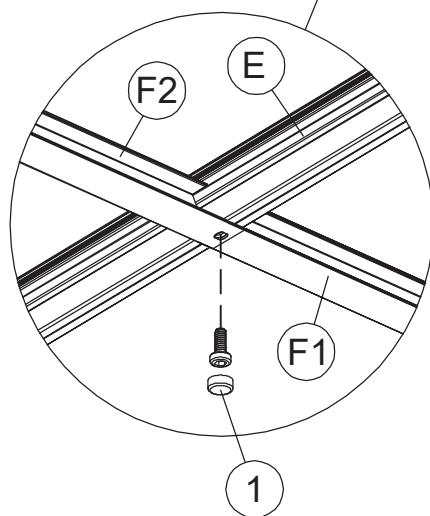
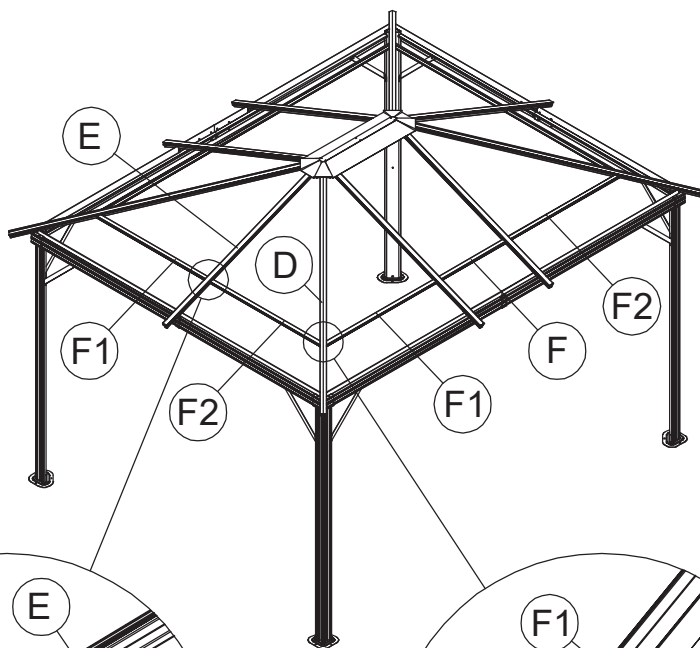


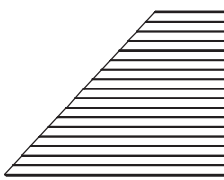
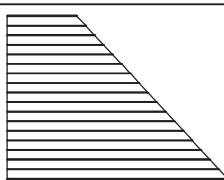
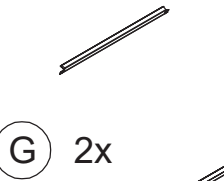
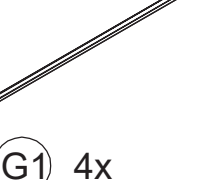
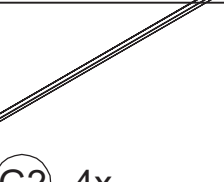
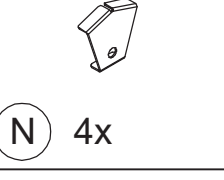
(1) 10x M6x12

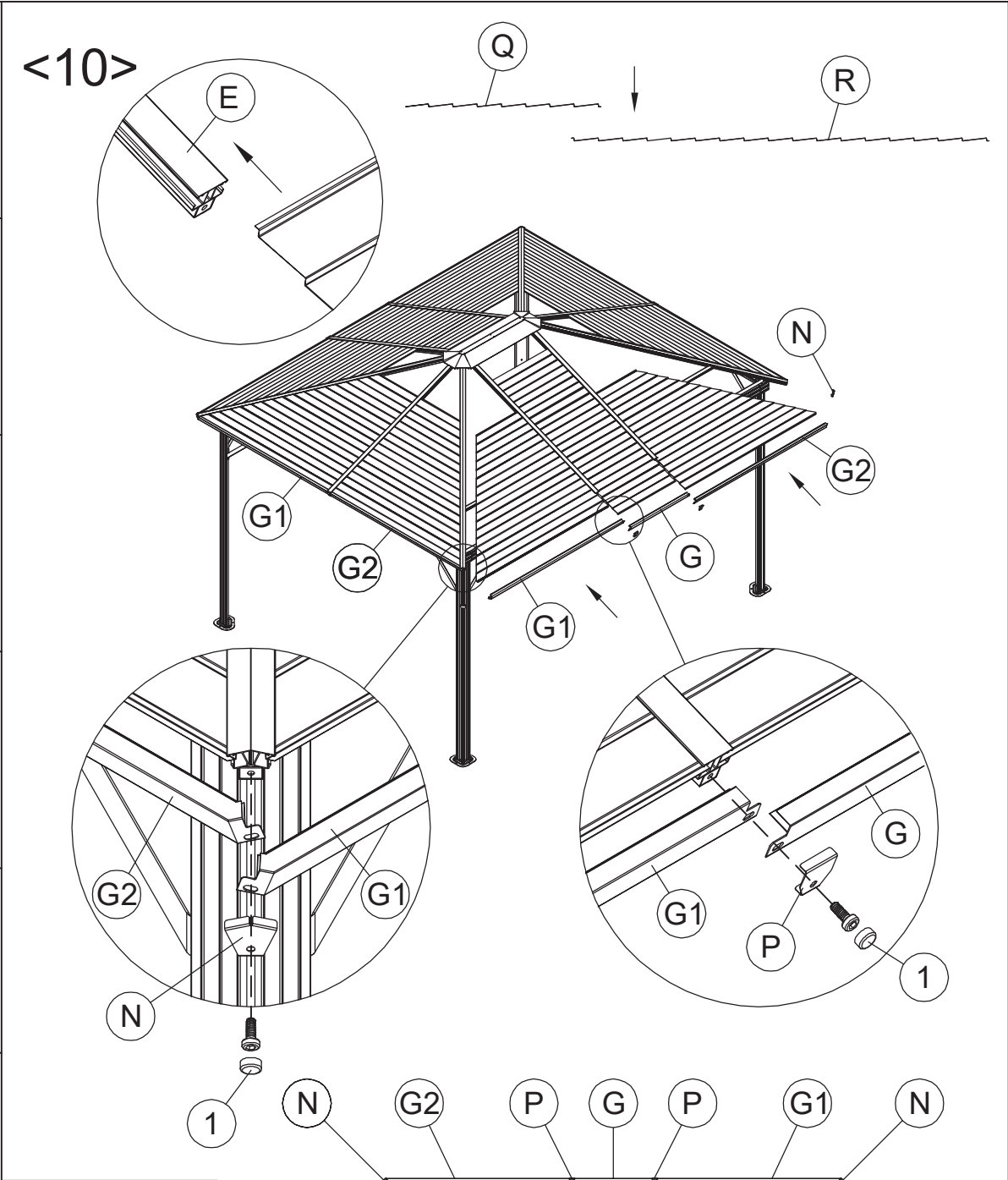


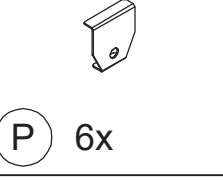
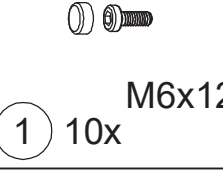
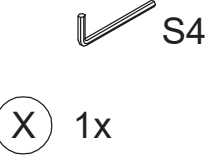
(X) 1x S4

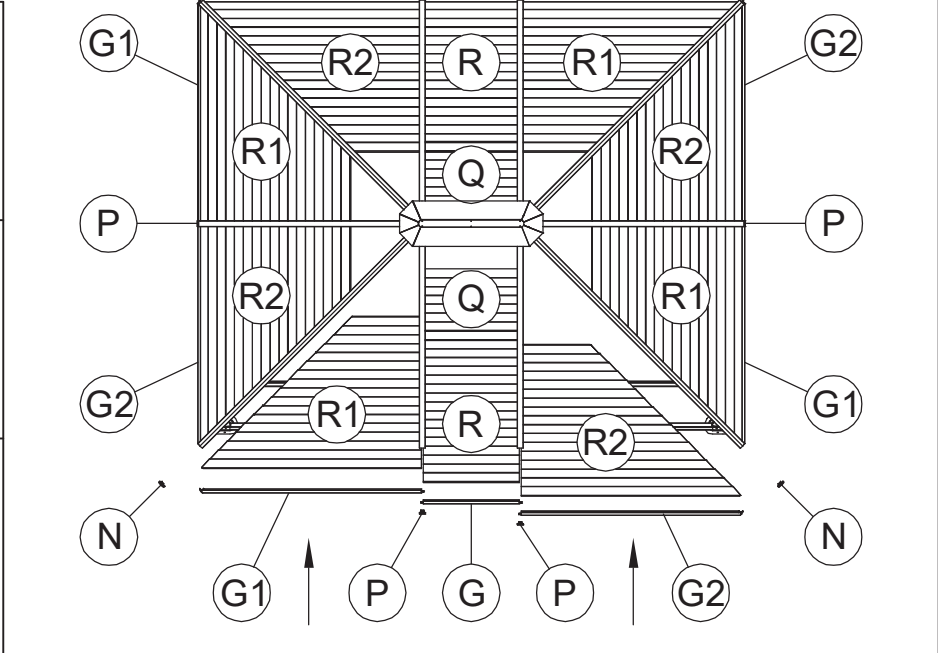
<9>



-  R1 4x
-  R2 4x
-  G 2x
-  G1 4x
-  G2 4x
-  N 4x
- 12**



-  P 6x
-  1 10x M6x12
-  S4
- X 1x**





Q1 4x

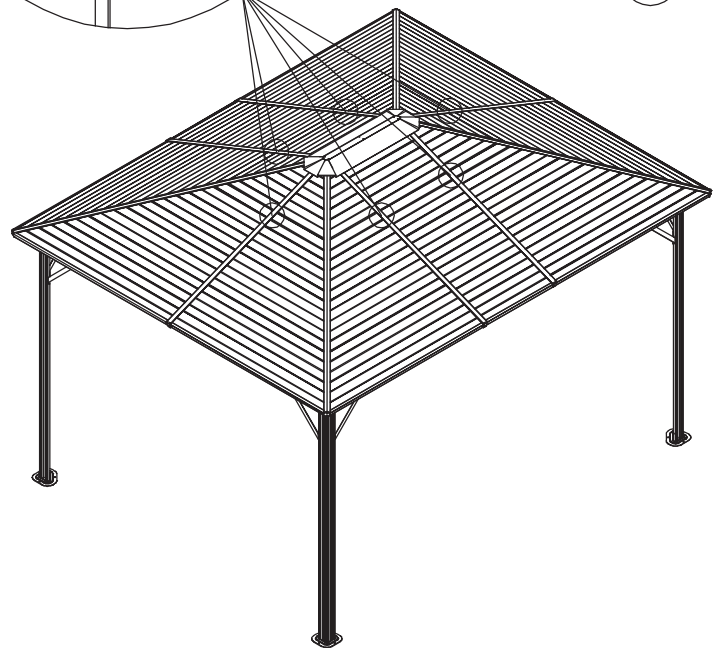
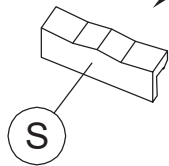
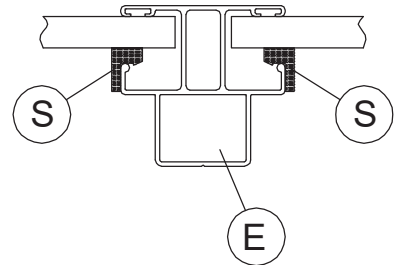
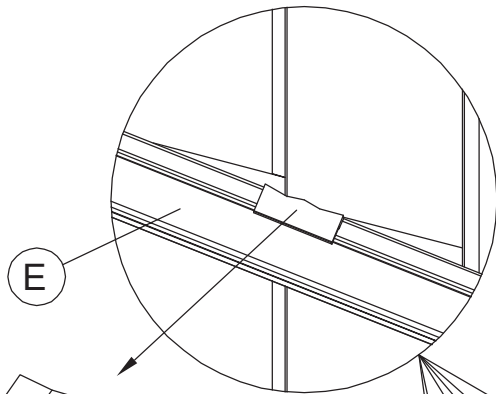
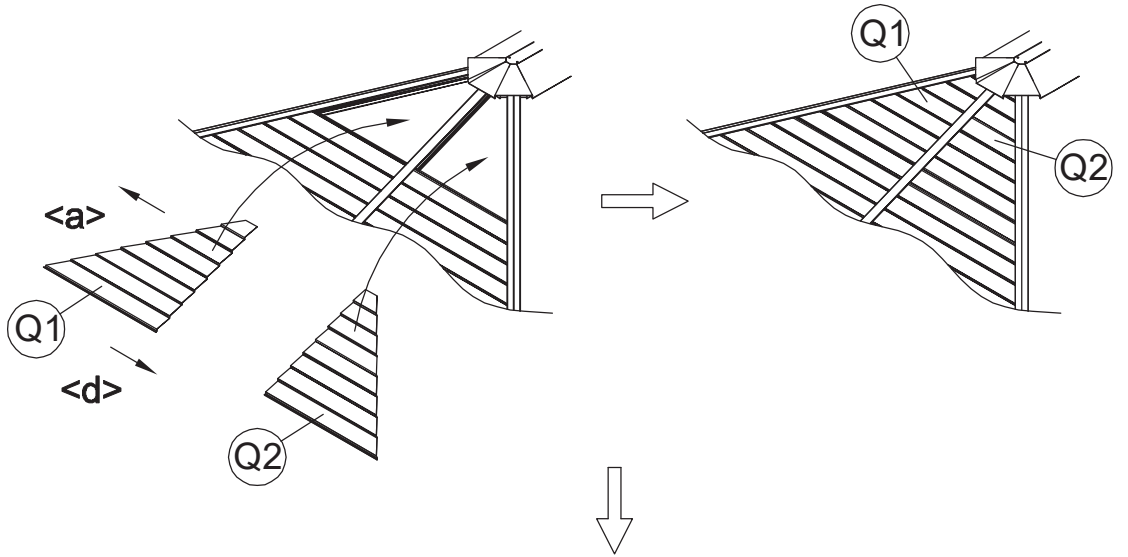


Q2 4x

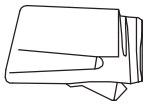


S 12x

<11>

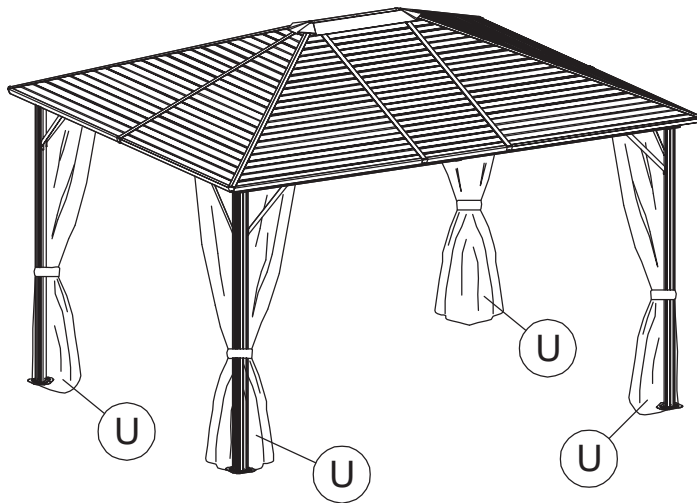
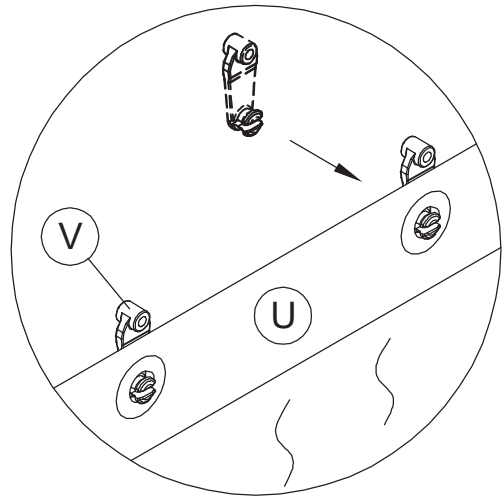
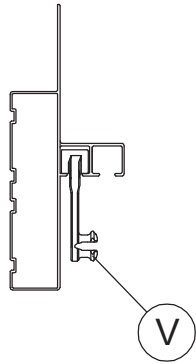


13

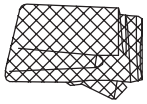


<12>

U 4x



14

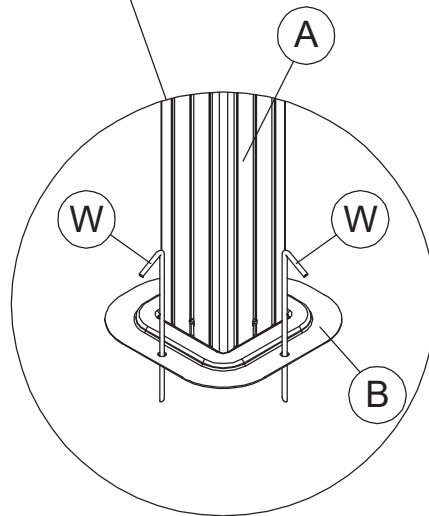
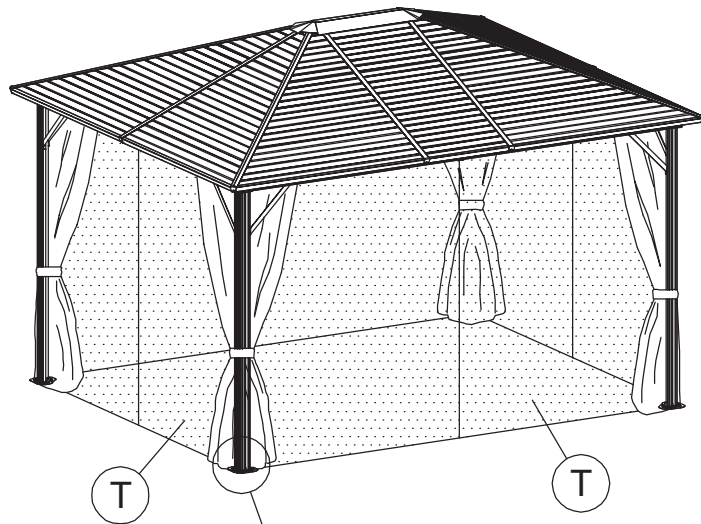
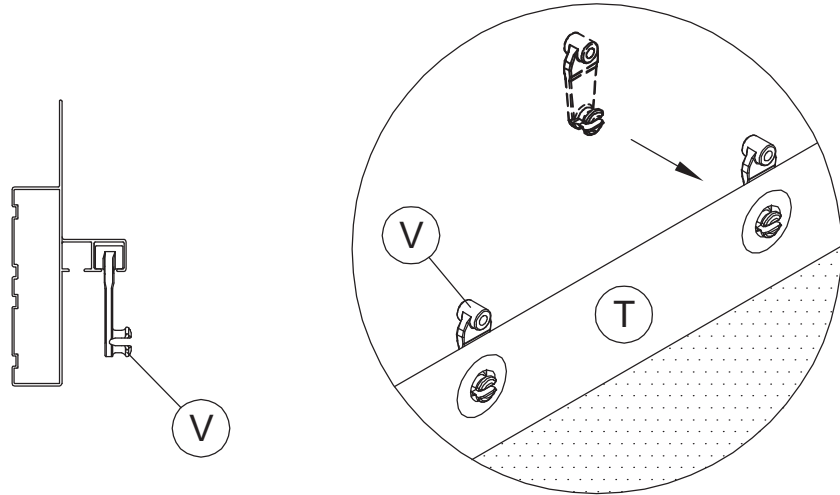


<13>

T 4x



W 12x



15